



BRAKE PAD PRIME CERAMIC P50118N

The P50118N NAO brake pad is synonymous with reliability

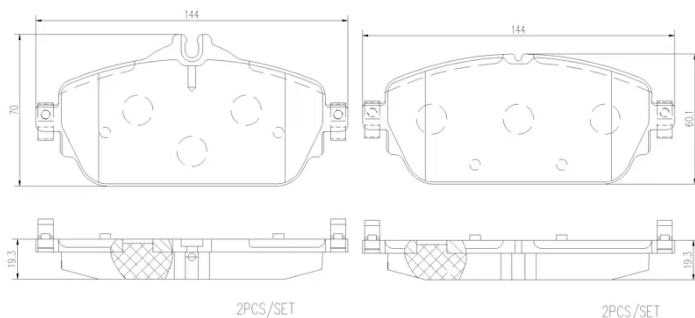
Brembo NAO brake pads stand out for their ultimate braking comfort, reduced friction wear and low dust mission, which makes for cleaner rims and reduced maintenance requirements. The advanced friction material in keeping with the strictest environmental standards is the main distinguishing feature of NAO compounds.

- ✓ OE-equivalent
- ✓ Brembo quality
- ✓ Safety
- ✓ Comfort
- ✓ Durability
- ✓ Dust reduction
- ✓ With accessories



Technical specifications

EAN code 8020584069813	Axle Front	Thickness 19 mm
Width 144 mm	Height 60 mm	Braking system TRW
Wear indicator Prepared for wear indicator	WVA number 22031,22032	Accessories With accessories With anti-squeal shim With brake caliper bolts



COMPATIBLE VEHICLES

COMPATIBLE OE PART NUMBERS

0004208700	MERCEDES-BENZ
------------	---------------

0084203620	MERCEDES-BENZ
------------	---------------

A0004208700	MERCEDES-BENZ
-------------	---------------

A0084203620	MERCEDES-BENZ
-------------	---------------
