



# BRAKE PAD PRIME CERAMIC P65025N

The P65025N NAO brake pad is synonymous with reliability

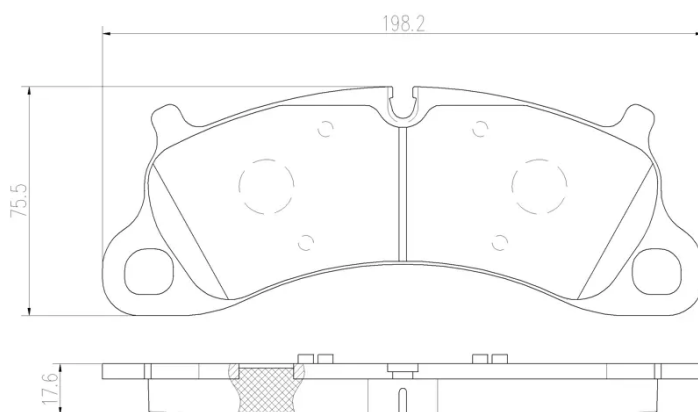
Brembo NAO brake pads stand out for their ultimate braking comfort, reduced friction wear and low dust mission, which makes for cleaner rims and reduced maintenance requirements. The advanced friction material in keeping with the strictest environmental standards is the main distinguishing feature of NAO compounds.

- ✓ OE-equivalent
- ✓ Brembo quality
- ✓ Safety
- ✓ Comfort
- ✓ Durability
- ✓ Dust reduction
- ✓ With accessories



## Technical specifications

EAN code <b>8020584069585</b>	Axle <b>Front</b>	Thickness <b>18 mm</b>
Width <b>198 mm</b>	Height <b>76 mm</b>	Braking system <b>Brembo</b>
Wear indicator <b>Prepared for wear indicator</b>	WVA number <b>25003</b>	Accessories <b>With anti-squeal shim</b>



4 PCS/SET

COMPATIBLE VEHICLES

## COMPATIBLE OE PART NUMBERS

99135194902	PORSCHE
99135194903	PORSCHE
99135194904	PORSCHE