



BRAKE PAD PRIME CERAMIC P83024N

The P83024N NAO brake pad is synonymous with reliability

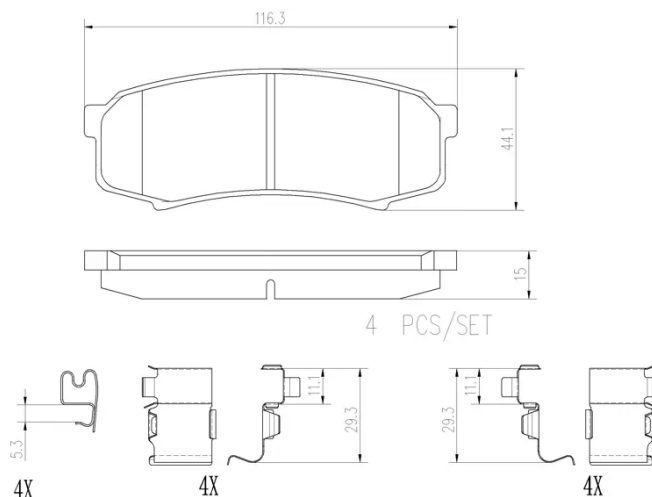
Brembo NAO brake pads stand out for their ultimate braking comfort, reduced friction wear and low dust mission, which makes for cleaner rims and reduced maintenance requirements. The advanced friction material in keeping with the strictest environmental standards is the main distinguishing feature of NAO compounds.

- ✓ OE-equivalent
- ✓ Brembo quality
- ✓ Safety
- ✓ Comfort
- ✓ Durability
- ✓ Dust reduction
- ✓ With accessories



Technical specifications

EAN code 8020584099490	Axle Rear	Thickness 15 mm
Width 116 mm	Height 44 mm	Braking system Sumitomo
Wear indicator Acoustic	WVA number 21947	Accessories With anti-squeal shim



COMPATIBLE VEHICLES

COMPATIBLE OE PART NUMBERS

BJ20323502030 DONGFENG

4605A389 MITSUBISHI

4605A458 MITSUBISHI

AY060TY006 NISSAN

0446660010 TOYOTA

0446660020 TOYOTA

0446660040 TOYOTA

0446660050 TOYOTA

0446660060 TOYOTA

0446660080 TOYOTA

0446660090 TOYOTA

0446660140 TOYOTA

0446690020 TOYOTA

04466YZZC8 TOYOTA

0449260010 TOYOTA

0449260020 TOYOTA

V91182011 TOYOTA

V9118B011 TOYOTA
