



BRAKE PAD PRIME CERAMIC P85072N

The P85072N NAO brake pad is synonymous with reliability

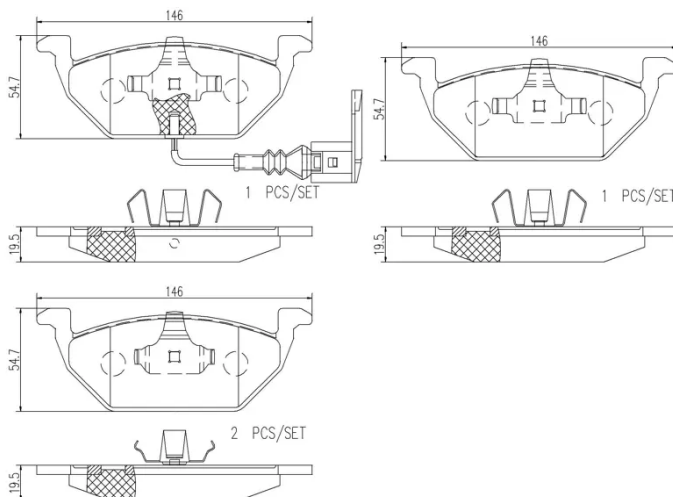
Brembo NAO brake pads stand out for their ultimate braking comfort, reduced friction wear and low dust mission, which makes for cleaner rims and reduced maintenance requirements. The advanced friction material in keeping with the strictest environmental standards is the main distinguishing feature of NAO compounds.

- ✓ OE-equivalent
- ✓ Brembo quality
- ✓ Safety
- ✓ Comfort
- ✓ Durability
- ✓ Dust reduction
- ✓ With accessories



Technical specifications

EAN code 8020584109441	Axle Front	Thickness 20 mm
Width 146 mm	Height 55 mm	Braking system Teves
Wear indicator Electric	WVA number 23131,23187,23130	Accessories With anti-squeal shim With piston clip With accessories



COMPATIBLE VEHICLES

COMPATIBLE OE PART NUMBERS

1J0698151D	AUDI
1J0698151E	AUDI
1J0698151F	AUDI
1J0698151G	AUDI
1K0698151A	AUDI
1K0698151D	AUDI
1K0698151F	AUDI
1K0698151G	AUDI
1K0698151J	AUDI
1K0698151K	AUDI
8Z0698151A	AUDI
JZW698151	AUDI
JZZ698151AA	AUDI
L1K0698151F	AUDI
10235749	ROEWE (SAIC)
1J0698151D	SEAT
1J0698151E	SEAT
1J0698151F	SEAT
1J0698151G	SEAT
1K0698151A	SEAT
1K0698151D	SEAT
1K0698151F	SEAT
1K0698151G	SEAT
1K0698151J	SEAT
1K0698151K	SEAT
8Z0698151A	SEAT
JZW698151	SEAT
JZZ698151AA	SEAT
L1K0698151F	SEAT
1J0698151D	SKODA
1J0698151E	SKODA
1J0698151F	SKODA
1J0698151G	SKODA
1K0698151A	SKODA
1K0698151D	SKODA
1K0698151F	SKODA
1K0698151G	SKODA
1K0698151J	SKODA
1K0698151K	SKODA
8Z0698151A	SKODA
JZW698151	SKODA
JZZ698151AA	SKODA
L1K0698151F	SKODA
1J0698151D	VW
1J0698151E	VW

1J0698151F	VW
1J0698151G	VW
1J0698151P	VW
1JE698151A	VW
1K0698151A	VW
1K0698151D	VW
1K0698151F	VW
1K0698151G	VW
1K0698151J	VW
1K0698151K	VW
1K0698151M	VW
1K0698151N	VW
8E0098301AA	VW
8E0098301S	VW
8P0098301A	VW
8Z0698151A	VW
JZW698151	VW
JZW698302CS	VW
JZZ698151AA	VW
L1K0698151F	VW
180698151A	VW (FAW)
L180698151A	VW (FAW)
L1J0698151D	VW (FAW)
L1J0698151F	VW (FAW)
L1KD698151	VW (FAW)
L1KD698151F	VW (FAW)
1KD698151F	VW (SVW)
L1KD698151F	VW (SVW)