



# BRAKE PAD

## P 09 029

The P 09 029 brake pad is synonymous with reliability

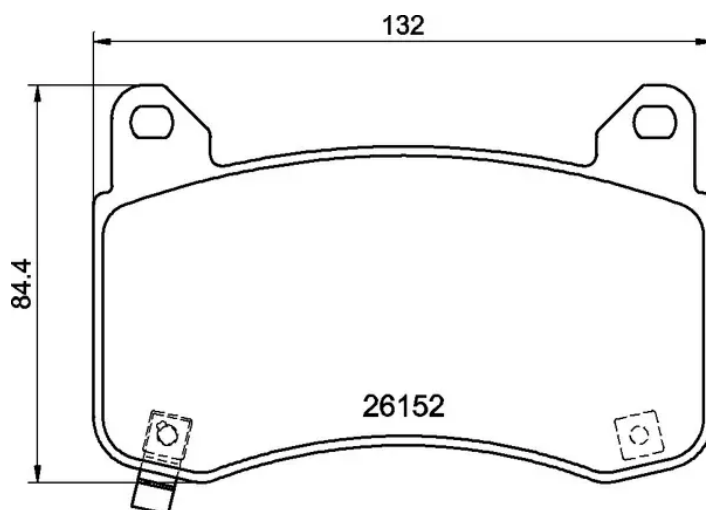
The Brembo brake pad guarantees ultimate safety when braking thanks to the use of more than 100 different compounds, designed according to the type of vehicle and use. Stopping distances reduced to a minimum, maximum driving comfort and silent operation are the most important features of Brembo materials. Brembo brake pads are supplied together with an extensive range of accessories and assembly kits for professional-standard installation.

- ✓ OE-equivalent
- ✓ Brembo quality
- ✓ ECE-R90 certificate
- ✓ Safety
- ✓ Performance
- ✓ Comfort



### Technical specifications

EAN code	Axle	Thickness
8020584119006	Front	16 mm
Width	Height	Braking system
132 mm	84 mm	Brembo
Wear indicator	WVA number	Accessories
Acoustic	26152	With anti-squeal shim



COMPATIBLE VEHICLES

## COMPATIBLE OE PART NUMBERS

800824200A	TESLA
------------	-------

---

800824200B	TESLA
------------	-------

---

800824200C	TESLA
------------	-------

---

800824200D	TESLA
------------	-------

---

800824300B	TESLA
------------	-------

---

800828400B	TESLA
------------	-------

---

800828500A	TESLA
------------	-------

---