



# BRAKE PAD

## P 30 018

The P 30 018 brake pad is synonymous with reliability

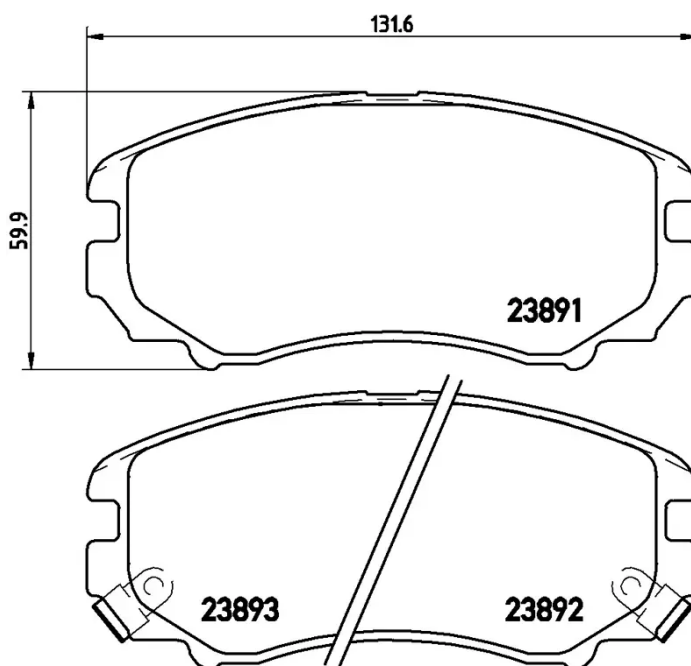
The Brembo brake pad guarantees ultimate safety when braking thanks to the use of more than 100 different compounds, designed according to the type of vehicle and use. Stopping distances reduced to a minimum, maximum driving comfort and silent operation are the most important features of Brembo materials. Brembo brake pads are supplied together with an extensive range of accessories and assembly kits for professional-standard installation.

- ✓ OE-equivalent
- ✓ Brembo quality
- ✓ ECE-R90 certificate
- ✓ Safety
- ✓ Performance
- ✓ Comfort



### Technical specifications

EAN code	Axle	Thickness
<b>8020584052884</b>	<b>Front</b>	<b>17 mm</b>
Width	Height	Braking system
<b>132 mm</b>	<b>60 mm</b>	<b>Mando</b>
Wear indicator	WVA number	
<b>Acoustic</b>	<b>23891,23892,23893</b>	



COMPATIBLE VEHICLES

## COMPATIBLE OE PART NUMBERS

3501130140W01	CHANGAN
3501130240W01	CHANGAN
51010620300	CHANGAN
51010620301	CHANGAN
T1C3501080	CHERY
22922074	CHEVROLET (SGM)
3501500FB01	FENGON
3501500SC01	FENGON
3501531FB01	FENGON
581010SA40	HORKI (DYK)
581011FA50	HYUNDAI
581012CA10	HYUNDAI
581012CA11	HYUNDAI
581012CA20	HYUNDAI
581012EA10	HYUNDAI
581012EA11	HYUNDAI
581012EA20	HYUNDAI
581012EA21	HYUNDAI
581012GA01	HYUNDAI
581012HA00	HYUNDAI
581012HA10	HYUNDAI
5810138A80	HYUNDAI
5810138A81	HYUNDAI
5810138A90	HYUNDAI
581013KA01	HYUNDAI
581013KA50	HYUNDAI
581013KA61	HYUNDAI
581014QA00	HYUNDAI
581013KA60	HYUNDAI (BEIJING)
58101C3A00	HYUNDAI (BEIJING)
H5810138A90	HYUNDAI (BEIJING)
581011FE00	KIA
581011FE01	KIA
581012KA00	KIA
581012KA10	KIA
581012KA51	KIA
581013CA70	KIA
581013CA80	KIA
S581011FE01	KIA
581012XA00	KIA (DYK)
58101D6A20	KIA (DYK)
3501130W01	LANDWIND (JMC)