



BRAKE PAD XTRA P 85 041X

The P 85 041X Xtra brake pad is synonymous with reliability

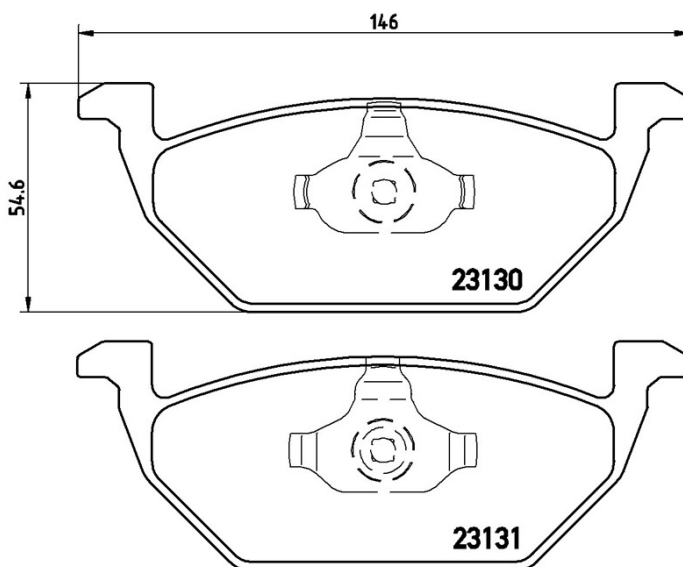
Brembo Xtra brake pads, developed to enhance the advantages of the Xtra and Max discs, are made using the special BRM X L01 compound which consists of more than 30 different components. Compared with the compound used for original-equivalent pads, the new solution assures a higher friction coefficient, which translates to more precise and stable braking, at both high and low temperatures. All this makes for greater driving comfort and improved pedal modularity, without compromising the product's mileage output.



- ✓ OE-equivalent
- ✓ Brembo quality
- ✓ ECE-R90 certificate
- ✓ Safety
- ✓ Performance
- ✓ Sports driving

Technical specifications

EAN code	Axle	Thickness
8020584069257	Front	20 mm
Width	Height	Braking system
146 mm	55 mm	Teves
Wear indicator	WVA number	
Without	23130,23131	



COMPATIBLE VEHICLES

COMPATIBLE OE PART NUMBERS

1J0615115 AUDI

1J0698151 AUDI

1J0698151A AUDI

1J0698151B AUDI

1J0698151C AUDI

1J0698151H AUDI

1J0698151J AUDI

1JE698151B AUDI

1KD698151 AUDI

1S0698151 AUDI

1S0698151A AUDI

1S0698151B AUDI

1S0698151C AUDI

5C0698151 AUDI

5Z0698151A AUDI

5Z0698151B AUDI

6C0698151 AUDI

6C0698151A AUDI

6C0698151B AUDI

6C0698151C AUDI

6Q0698151 AUDI

6R0698151A AUDI

6R0698151B AUDI

6RD698151A AUDI

JZW698151A AUDI

JZW698151AF AUDI

B3501015EY BESTURN (FAW)

SHZ3501082 BRILLIANCE

1J0698151 SEAT

1J0698151A SEAT

1J0698151B SEAT

1J0698151C SEAT

1J0698151H SEAT

1J0698151J SEAT

1JE698151B SEAT

1KD698151 SEAT

1S0698151 SEAT

1S0698151A SEAT

1S0698151B SEAT

1S0698151C SEAT

2Q0698151 SEAT

5C0698151 SEAT

5Z0698151A SEAT

5Z0698151B SEAT

6C0698151 SEAT

6C0698151A	SEAT
6C0698151B	SEAT
6C0698151C	SEAT
6Q0698151	SEAT
6R0698151A	SEAT
6R0698151B	SEAT
6RD698151A	SEAT
JZW698151A	SEAT
JZW698151AF	SEAT
1J0698151	SKODA
1J0698151A	SKODA
1J0698151B	SKODA
1J0698151C	SKODA
1J0698151H	SKODA
1J0698151J	SKODA
1JE698151B	SKODA
1KD698151	SKODA
1S0698151	SKODA
1S0698151A	SKODA
1S0698151B	SKODA
1S0698151C	SKODA
2Q0698151T	SKODA
5C0698151	SKODA
5Z0698151A	SKODA
5Z0698151B	SKODA
6C0698151	SKODA
6C0698151A	SKODA
6C0698151B	SKODA
6C0698151C	SKODA
6C0698151D	SKODA
6Q0698151	SKODA
6R0698151A	SKODA
6R0698151B	SKODA
6RD698151	SKODA
6RD698151A	SKODA
JZW698151A	SKODA
JZW698151AF	SKODA
JZW698302CJ	SKODA
18D698151	SKODA (SVW)
1KD698151	SKODA (SVW)
6RD698151	SKODA (SVW)
6RD698151B	SKODA (SVW)
180698151A	VW
180698151B	VW
1J0698151	VW
1J0698151A	VW
1J0698151B	VW
1J0698151C	VW

1J0698151H	VW
1J0698151J	VW
1JE698151	VW
1JE698151B	VW
1KD698151	VW
1S0698151	VW
1S0698151A	VW
1S0698151B	VW
1S0698151C	VW
1S0698151D	VW
1S0698151E	VW
2Q0698151A	VW
2Q0698151AB	VW
2QB698151	VW
5C0698151	VW
5C0698151B	VW
5Z0698151A	VW
5Z0698151B	VW
6C0698151	VW
6C0698151A	VW
6C0698151B	VW
6C0698151C	VW
6Q0698151	VW
6R0698151A	VW
6R0698151B	VW
6RD698151A	VW
JZW698151A	VW
JZW698151AF	VW
JZW698302CD	VW
180698151	VW (FAW)
180698151B	VW (FAW)
1KD698151	VW (FAW)
5C0698151	VW (FAW)
6QD698151	VW (FAW)
6RD698151B	VW (FAW)
JZW698151AF	VW (FAW)
L180698151	VW (FAW)
L180698151B	VW (FAW)
L1J0698151C	VW (FAW)
L5C0698151	VW (FAW)
L6RD698151	VW (FAW)
L6RD698151A	VW (FAW)
L6RD698151B	VW (FAW)
18D698151	VW (SVW)
1KD698151	VW (SVW)
6RD698151B	VW (SVW)
L180698151	VW (SVW)