



SHOE

S 50 502

The S 50 502 brake shoe is synonymous with reliability

Brembo brake shoes of original equipment quality guarantee the safe and reliable performance of your drum braking system. All Brembo brake shoes are accompanied by a ECE-R90 homologation certificate.

- ✓ OE-equivalent
- ✓ Brembo quality
- ✓ ECE-R90 certificate
- ✓ Safety
- ✓ Durability
- ✓ With accessories



Technical specifications

EAN code
8432509642115

Rear

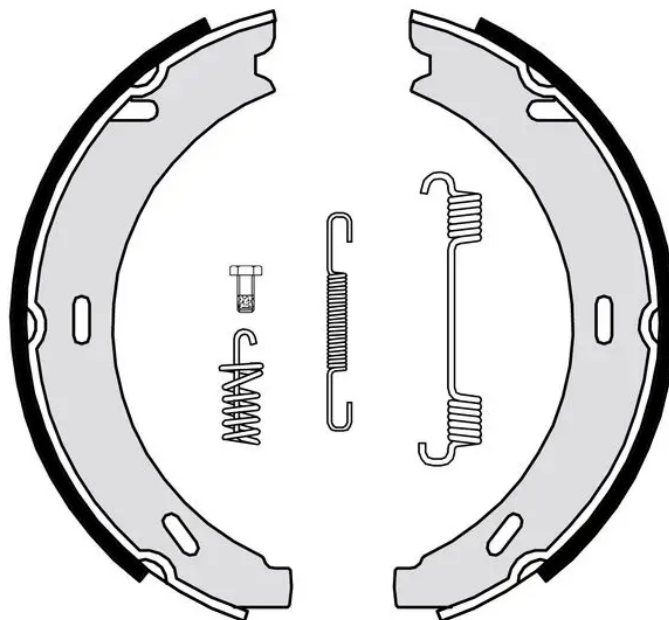
Diameter
164 mm

Width
20 mm

Braking system
TRW

Parking brake lever
With accessories

Type
Parking brake



COMPATIBLE VEHICLES

COMPATIBLE OE PART NUMBERS

05096552AA	CHRYSLER
------------	----------

05143676AA	CHRYSLER
------------	----------

5096552AA	CHRYSLER
-----------	----------

5143676AA	CHRYSLER
-----------	----------

K05096552AA	CHRYSLER
-------------	----------

K05143676AA	CHRYSLER
-------------	----------

1244200320	MERCEDES-BENZ
------------	---------------

1244200520	MERCEDES-BENZ
------------	---------------

1244200720	MERCEDES-BENZ
------------	---------------

1244200820	MERCEDES-BENZ
------------	---------------

2014200820	MERCEDES-BENZ
------------	---------------

2014200920	MERCEDES-BENZ
------------	---------------

2034200120	MERCEDES-BENZ
------------	---------------

2104200820	MERCEDES-BENZ
------------	---------------

4144200320	MERCEDES-BENZ
------------	---------------

A2034200120	MERCEDES-BENZ
-------------	---------------

A4144200320	MERCEDES-BENZ
-------------	---------------