



BRAKE DISC MAX

08.2985.75

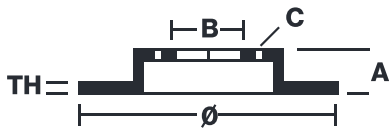
The 08.2985.75 Max brake disc is synonymous with reliability

The Brembo Max brake disc features grooves on the braking surface. The special shape of the grooves generates greater fading resistance and constant renewal of friction material, quickly restoring optimum braking conditions. The UV paint completes the sporty look.

- ✓ Brembo quality
- ✓ ECE-R90 certificate
- ✓ Performance
- ✓ Sports driving
- ✓ Sporty look
- ✓ Anti-corrosion
- ✓ Fastening screws



Technical specifications



EAN code
8020584011195

Axle
Front and rear

Diameter \varnothing
247 mm

Thickness (TH)
10 mm

Height (A)
34 mm

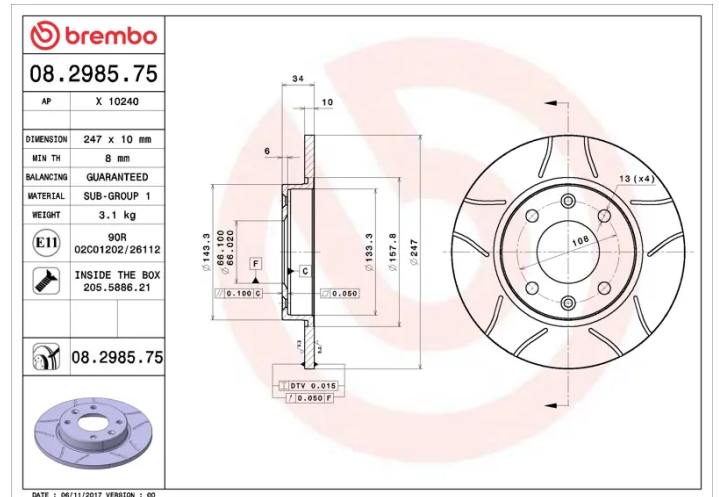
Number of holes (C)
4

Brake disc type
Solid

Centering (B)
66 mm

Min. thickness
8 mm

Tightening torque
85 Nm



COMPATIBLE VEHICLES

COMPATIBLE OE PART NUMBERS

1618859680 CITROËN

169001 CITROËN

424995 CITROËN

91508338 CITROËN

95661748 CITROËN

96070525 CITROËN

E169001 CITROËN

95661748 CITROËN (DF-PSA)

424689 DALLAS

1618859680 PEUGEOT

424689 PEUGEOT

4246A5 PEUGEOT

424995 PEUGEOT

E169001 PEUGEOT
