



BRAKE DISC

08.5178.30

The 08.5178.30 brake disc is synonymous with reliability

The Brembo brake disc is fully interchangeable with an Original Equipment brake disc. The control of the entire production cycle allows Brembo to offer brake discs with outstanding performance levels, reliability, durability and comfort in all conditions of use. All Brembo brake discs are accompanied by the ECE-R90 homologation.

- ✓ OE-equivalent
- ✓ Brembo quality
- ✓ ECE-R90 certificate
- ✓ Safety
- ✓ Fastening screws



Technical specifications



EAN code
8020584517833

Axle
Rear

Diameter \varnothing
278 mm

Thickness (TH)
9 mm

Height (A)
55 mm

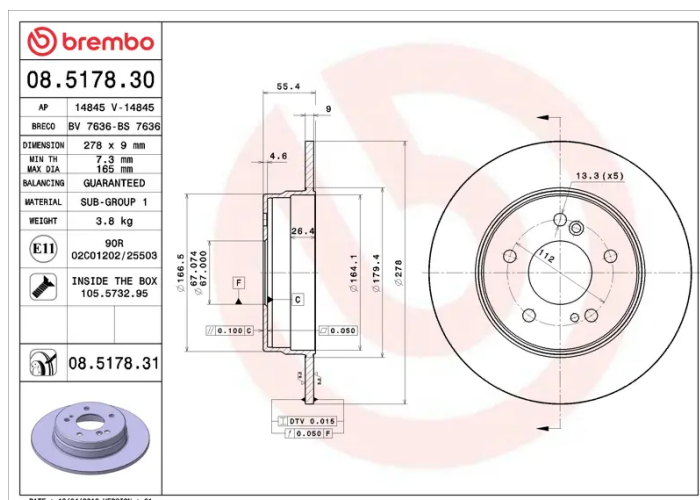
Number of holes (C)
5

Brake disc type
Solid

Centering (B)
67 mm

Min. thickness
7,3 mm

Tightening torque
110 Nm



COMPATIBLE VEHICLES

COMPATIBLE OE PART NUMBERS

5098065AA CHRYSLER

5098066AA CHRYSLER

68031811AA CHRYSLER

2034230012 MERCEDES-BENZ

2034230112 MERCEDES-BENZ

2104230112 MERCEDES-BENZ

2104230412 MERCEDES-BENZ

2104230912 MERCEDES-BENZ

A2034230012 MERCEDES-BENZ

A2034230112 MERCEDES-BENZ

A2104230412 MERCEDES-BENZ

A2104230912 MERCEDES-BENZ
