



# BRAKE DISC

## 08.7104.14

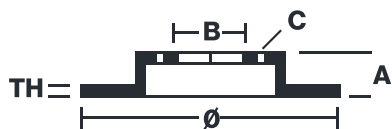
The **08.7104.14** brake disc is synonymous with reliability

The Brembo brake disc is fully interchangeable with an Original Equipment brake disc. The control of the entire production cycle allows Brembo to offer brake discs with outstanding performance levels, reliability, durability and comfort in all conditions of use. All Brembo brake discs are accompanied by the ECE-R90 homologation.

- ✓ OE-equivalent
- ✓ Brembo quality
- ✓ ECE-R90 certificate
- ✓ Safety
- ✓ Fastening screws



### Technical specifications



EAN code  
**8020584013946**

Axle  
**Rear**

Diameter  $\varnothing$   
**239 mm**

Thickness (TH)  
**10 mm**

Height (A)  
**48 mm**

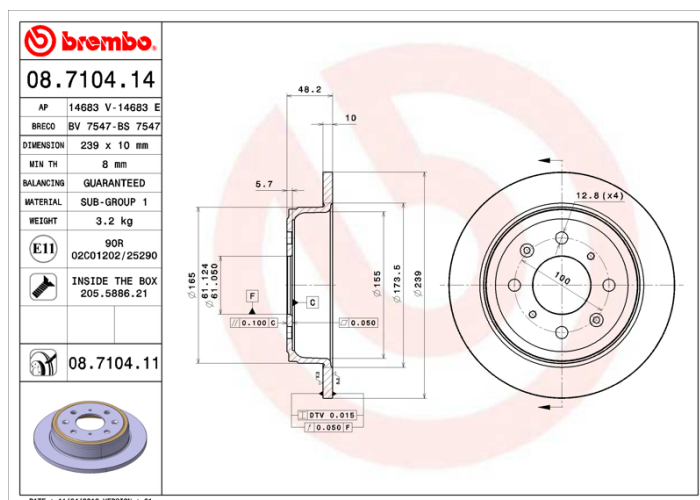
Number of holes (C)  
**4**

Brake disc type  
**Solid**

Centering (B)  
**61 mm**

Min. thickness  
**8 mm**

Tightening torque  
**108 Nm**



COMPATIBLE VEHICLES

## COMPATIBLE OE PART NUMBERS

42510SH3G00	ACURA
-------------	-------

42510SE0000	HONDA
-------------	-------

42510SE0010	HONDA
-------------	-------

42510SH3G00	HONDA
-------------	-------

42510SK3305	HONDA
-------------	-------

42510SK3E00	HONDA
-------------	-------