



BRAKE DISC

08.7106.10

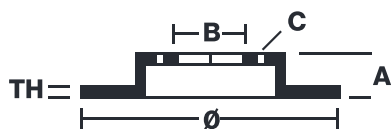
The **08.7106.10** brake disc is synonymous with reliability

The Brembo brake disc is fully interchangeable with an Original Equipment brake disc. The control of the entire production cycle allows Brembo to offer brake discs with outstanding performance levels, reliability, durability and comfort in all conditions of use. All Brembo brake discs are accompanied by the ECE-R90 homologation.

- ✓ OE-equivalent
- ✓ Brembo quality
- ✓ ECE-R90 certificate
- ✓ Safety



Technical specifications



EAN code
8020584710616

Axle
Rear

Diameter Ø
315 mm

Thickness (TH)
18 mm

Height (A)
84 mm

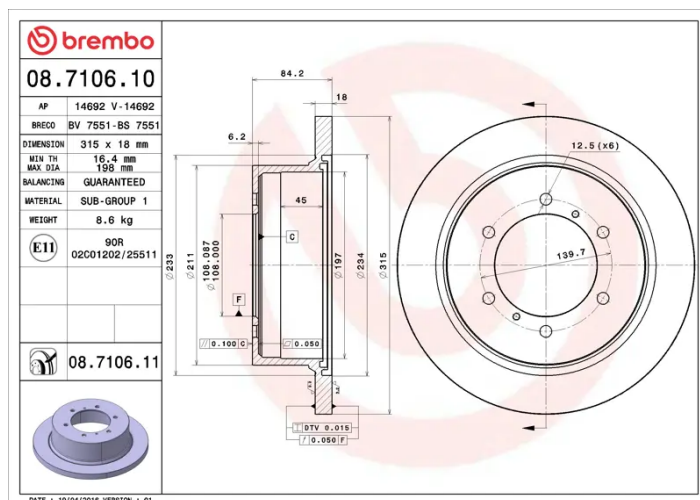
Number of holes (C)
6

Brake disc type
Solid

Centering (B)
108 mm

Min. thickness
16,4 mm

Tightening torque
100 Nm



COMPATIBLE VEHICLES

COMPATIBLE OE PART NUMBERS

MB618719	MITSUBISHI
MB618797	MITSUBISHI