



BRAKE DISC

08.C247.10

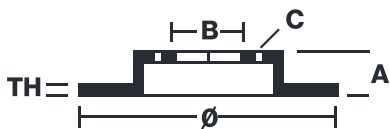
The **08.C247.10** brake disc is synonymous with reliability

The Brembo brake disc is fully interchangeable with an Original Equipment brake disc. The control of the entire production cycle allows Brembo to offer brake discs with outstanding performance levels, reliability, durability and comfort in all conditions of use. All Brembo brake discs are accompanied by the ECE-R90 homologation.

- ✓ OE-equivalent
- ✓ Brembo quality
- ✓ ECE-R90 certificate
- ✓ Safety



Technical specifications



EAN code
8020584218594

Axle
Rear

Diameter Ø
302 mm

Thickness (TH)
10 mm

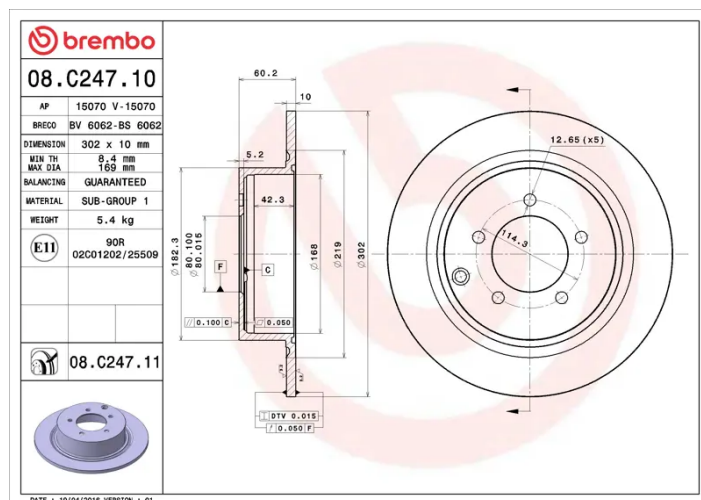
Height (A)
60 mm

Number of holes (C)
5

Brake disc type
Solid

Centering (B)
80 mm

Min. thickness
8,4 mm



COMPATIBLE VEHICLES

COMPATIBLE OE PART NUMBERS

2AMV3999AA CHRYSLER

1606292080 CITROËN

1611667880 CITROËN

04743999AB JEEP

2AMV3999AA JEEP

K04743999AA LANCIA

4615A010 MITSUBISHI

4615A121 MITSUBISHI

4615A193 MITSUBISHI

4615A121 MITSUBISHI (GAC)

4615A193 MITSUBISHI (GAC)

1606292080 PEUGEOT

1611667880 PEUGEOT
