



BRAKE DISC PAINTED

09.7056.11

The 09.7056.11 painted brake disc is synonymous with reliability

The Brembo brake disc with special UV paint treatment guarantees superior corrosion resistance for the product, thanks to the protective coating on the outer edges and on the disc hub. The UV paint not only gives the disc a clean, shiny appearance but is also beneficial for the environment as the water-based UV paint treatment does not require the use of chemical solvents and is a low energy consumption process.

- ✓ OE-equivalent
- ✓ Brembo quality
- ✓ ECE-R90 certificate
- ✓ Safety
- ✓ Anti-corrosion

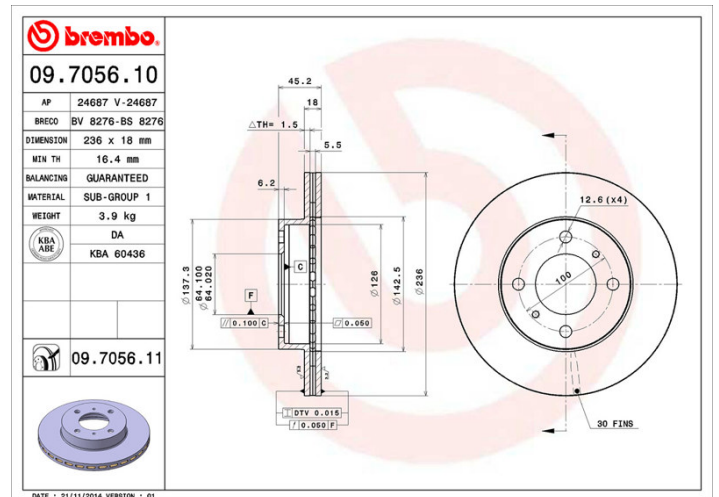


Technical specifications



EAN code	Axle	Diameter Ø
8020584210512	Front	236 mm
Thickness (TH)	Height (A)	Number of holes (C)
18 mm	45 mm	4
Brake disc type	Centering (B)	Min. thickness
Ventilated	64 mm	16,4 mm

Tightening torque
108 Nm



COMPATIBLE VEHICLES

COMPATIBLE OE PART NUMBERS

MB699283 DODGE

MB699283 EAGLE

MB699282 MITSUBISHI

MB699283 MITSUBISHI

MB950922 MITSUBISHI

MR449768 MITSUBISHI

MR449769 MITSUBISHI

MB699282 PROTON

MB699283 PROTON

MR449769 PROTON
