



BRAKE DISC PAINTED

09.A402.11

The 09.A402.11 painted brake disc is synonymous with reliability

The Brembo brake disc with special UV paint treatment guarantees superior corrosion resistance for the product, thanks to the protective coating on the outer edges and on the disc hub. The UV paint not only gives the disc a clean, shiny appearance but is also beneficial for the environment as the water-based UV paint treatment does not require the use of chemical solvents and is a low energy consumption process.

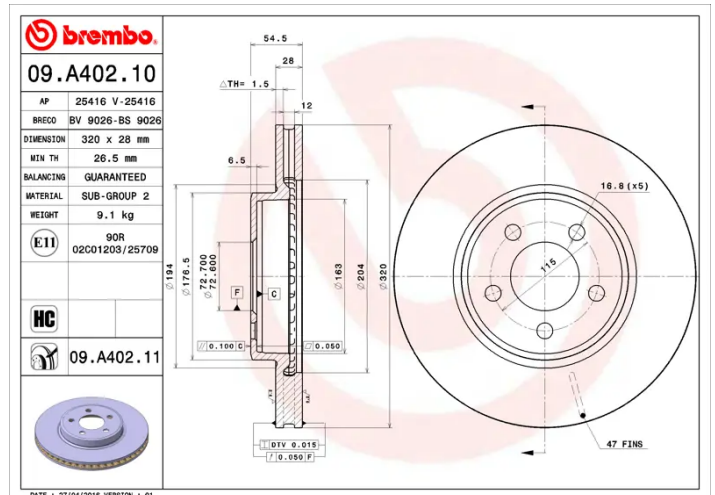
- ✓ OE-equivalent
- ✓ Brembo quality
- ✓ ECE-R90 certificate
- ✓ Safety
- ✓ High carbon
- ✓ Anti-corrosion



Technical specifications



EAN code 8020584216224	Axle Front	Diameter Ø 320 mm
Thickness (TH) 28 mm	Height (A) 55 mm	Number of holes (C) 5
Brake disc type Ventilated	Centering (B) 73 mm	Min. thickness 26,5 mm



COMPATIBLE VEHICLES

COMPATIBLE OE PART NUMBERS

04779196AA CHRYSLER

04779196AB CHRYSLER

04779196AD CHRYSLER

04779196AE CHRYSLER

04779196AF CHRYSLER

04779196AG CHRYSLER

4779196AA CHRYSLER

4779196AB CHRYSLER

4779196AD CHRYSLER

4779196AE CHRYSLER

4779196AF CHRYSLER

4779196AG CHRYSLER

68368064AA CHRYSLER

4779196AE DODGE

4779196AF DODGE

4779196AG DODGE
