



BRAKE DISC XTRA

09.A455.1X

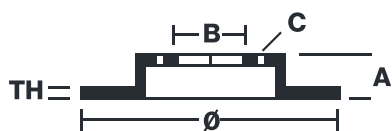
The 09.A455.1X Xtra brake disc is synonymous with reliability

The Brembo Xtra brake disc features holes on the braking surface. The holes are designed to improve the cooling of the braking system, to generate greater fading resistance and grip in the initial stages of braking. The sports look is also enhanced by the presence of the UV paint.

- ✓ Brembo quality
- ✓ ECE-R90 certificate
- ✓ Performance
- ✓ Sports driving
- ✓ Sporty look
- ✓ Anti-corrosion
- ✓ Fastening screws



Technical specifications



EAN code
8020584217627

Axle
Front

Diameter \varnothing
282 mm

Thickness (TH)
23 mm

Height (A)
47 mm

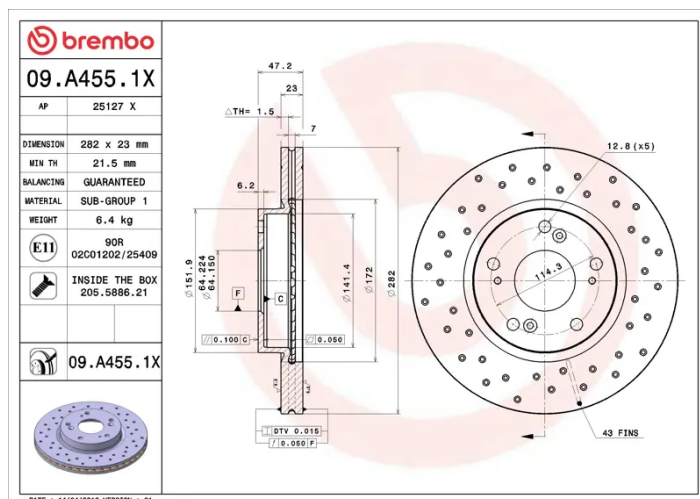
Number of holes (C)
5

Brake disc type
Ventilated

Centering (B)
64 mm

Min. thickness
21,5 mm

Tightening torque
108 Nm



COMPATIBLE VEHICLES

COMPATIBLE OE PART NUMBERS

45251SNVH00	CIIMO
45251S7AE10	HONDA
45251S7AE11	HONDA
45251SMGE30	HONDA
45251SMGE31	HONDA
45251SMGG10	HONDA
45251SMGG11	HONDA
45251SNLT60	HONDA
45251TEAT00	HONDA
45251TR0E00	HONDA
45251SNVH00	HONDA (DONGFENG)
45251SNVH00	HONDA (GAC)