



BRAKE DISC PAINTED

09.A629.11

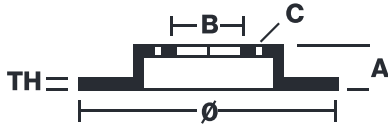
The 09.A629.11 painted brake disc is synonymous with reliability

The Brembo brake disc with special UV paint treatment guarantees superior corrosion resistance for the product, thanks to the protective coating on the outer edges and on the disc hub. The UV paint not only gives the disc a clean, shiny appearance but is also beneficial for the environment as the water-based UV paint treatment does not require the use of chemical solvents and is a low energy consumption process.

- ✓ OE-equivalent
- ✓ Brembo quality
- ✓ ECE-R90 certificate
- ✓ Safety
- ✓ Anti-corrosion

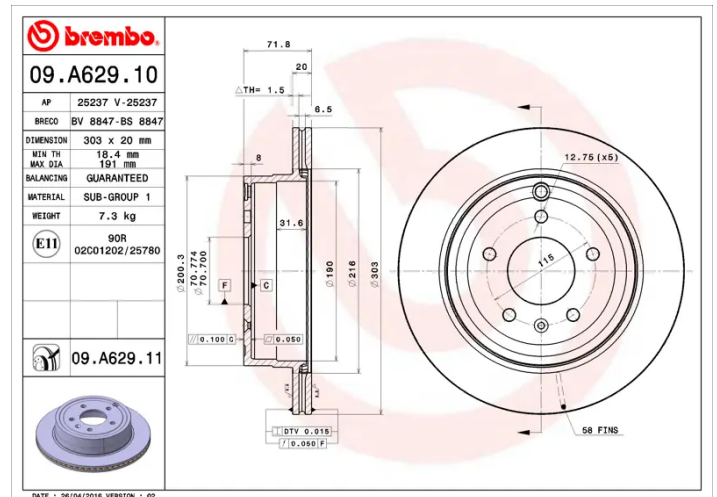


Technical specifications



EAN code 8020584222195	Axle Rear	Diameter Ø 303 mm
Thickness (TH) 20 mm	Height (A) 72 mm	Number of holes (C) 5
Brake disc type Ventilated	Centering (B) 71 mm	Min. thickness 18,4 mm

Tightening torque
125 Nm



COMPATIBLE VEHICLES

COMPATIBLE OE PART NUMBERS

15223784	CHEVROLET
20892952	CHEVROLET
20968395	CHEVROLET
25804046	CHEVROLET
96625873	CHEVROLET
20968395	CHEVROLET (SGM)
20968395	OPEL
4801857	OPEL
4804637	OPEL
96625873	OPEL
20968395	VAUXHALL
96625873	VAUXHALL