



BRAKE PAD NAO P06049N

The P06049N NAO brake pad is synonymous with reliability

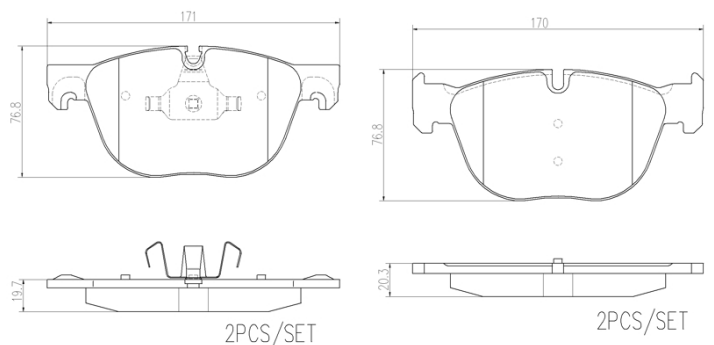
Brembo NAO brake pads stand out for their ultimate braking comfort, reduced friction wear and low dust mission, which makes for cleaner rims and reduced maintenance requirements. The advanced friction material in keeping with the strictest environmental standards is the main distinguishing feature of NAO compounds.

- ✓ OE-equivalent
- ✓ Brembo quality
- ✓ Safety
- ✓ Comfort
- ✓ Durability
- ✓ Dust reduction
- ✓ With accessories



Technical specifications

| | | |
|------------------------------------------------------|----------------------------------|------------------------------------------------------------------------|
| EAN code 8020584095942 | Axle Front | Thickness 20 mm |
| Width 170 mm | Height 77 mm | Braking system Teves |
| Wear indicator Prepared for wear indicator | WVA number 24170,24171 | Accessories With anti-squeal shim With piston clip |



COMPATIBLE VEHICLES

COMPATIBLE OE PART NUMBERS

2475040 BMW

34112413038 BMW

34112413052 BMW

34112413068 BMW

34112475040 BMW

34114074370 BMW

34116778403 BMW

34116779293 BMW

34116852253 BMW

34116857096 BMW

34116877653 BMW
