



# BRAKE PAD NAO P06088N

The P06088N NAO brake pad is synonymous with reliability

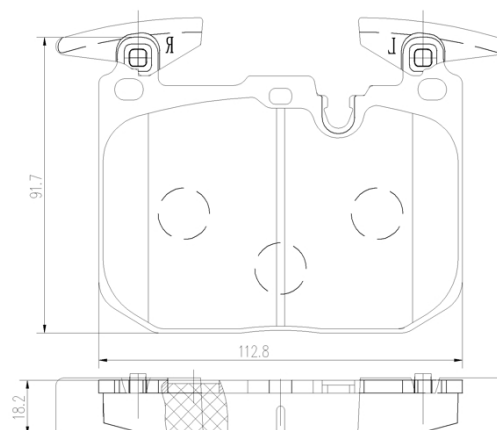
Brembo NAO brake pads stand out for their ultimate braking comfort, reduced friction wear and low dust mission, which makes for cleaner rims and reduced maintenance requirements. The advanced friction material in keeping with the strictest environmental standards is the main distinguishing feature of NAO compounds.

- ✓ OE-equivalent
- ✓ Brembo quality
- ✓ Safety
- ✓ Comfort
- ✓ Durability
- ✓ Dust reduction
- ✓ With accessories



## Technical specifications

EAN code	Axle	Thickness
<b>8020584081822</b>	<b>Front</b>	<b>18 mm</b>
Width	Height	Braking system
<b>115 mm</b>	<b>92 mm</b>	<b>Brembo</b>
Wear indicator	WVA number	Accessories
<b>Prepared for wear indicator</b>	<b>25028</b>	<b>With anti-squeal shim</b> <b>With counterweights</b>



4PCS/SET

COMPATIBLE VEHICLES

## COMPATIBLE OE PART NUMBERS

34106799805 BMW

---

34106859067 BMW

---

34106866072 BMW

---

34106878878 BMW

---

34112464195 BMW

---

34116850850 BMW

---

34116859066 BMW

---

34116866072 BMW

---

34116878876 BMW

---