



# BRAKE PAD PRIME CERAMIC P11017N

The P11017N NAO brake pad is synonymous with reliability

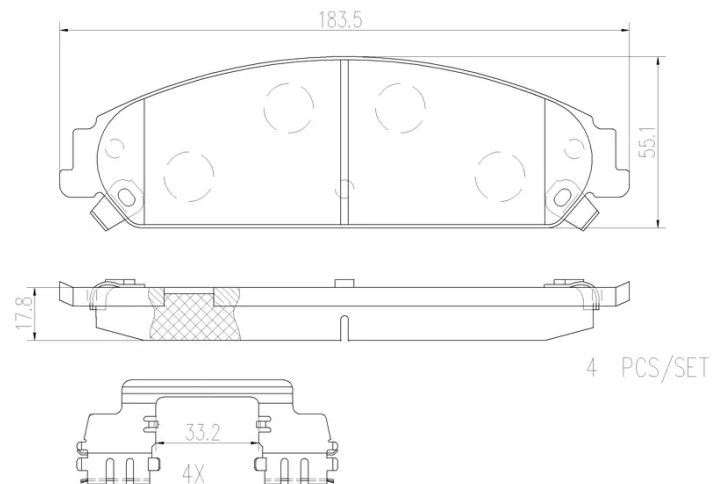
Brembo NAO brake pads stand out for their ultimate braking comfort, reduced friction wear and low dust mission, which makes for cleaner rims and reduced maintenance requirements. The advanced friction material in keeping with the strictest environmental standards is the main distinguishing feature of NAO compounds.

- ✓ OE-equivalent
- ✓ Brembo quality
- ✓ Safety
- ✓ Comfort
- ✓ Durability
- ✓ Dust reduction
- ✓ With accessories



## Technical specifications

EAN code <b>8020584096550</b>	Axle <b>Front</b>	Thickness <b>18 mm</b>
Width <b>184 mm</b>	Height <b>55 mm</b>	Braking system <b>Bosch</b>
Wear indicator <b>Acoustic</b>	WVA number <b>24164</b>	Accessories <b>With piston clip</b> <b>With accessories</b> <b>With anti-squeal shim</b>



COMPATIBLE VEHICLES

## COMPATIBLE OE PART NUMBERS

05137666AA CHRYSLER

---

05142558AA CHRYSLER

---

05142559AA CHRYSLER

---

05142559AB CHRYSLER

---

05175208AA CHRYSLER

---

5137666AA CHRYSLER

---

5142558AD CHRYSLER

---

5142559AA CHRYSLER

---

5142559AB CHRYSLER

---

5175208AA CHRYSLER

---

K05142559AA CHRYSLER

---

K05142559AB CHRYSLER

---

5142558AD DODGE

---

68209532AA DODGE

---

68269953AA DODGE

---

K68269953AA DODGE

---

K05137666AA FIAT

---

K05142558AA FIAT

---

K05142559AA FIAT

---

K05142559AB FIAT

---

05142558AA LANCIA

---

K05137666AA LANCIA

---

K05142558AA LANCIA

---

K05142558AC LANCIA

---

K05142559AA LANCIA

---

K05142559AB LANCIA

---