



BRAKE PAD PRIME CERAMIC P18038N

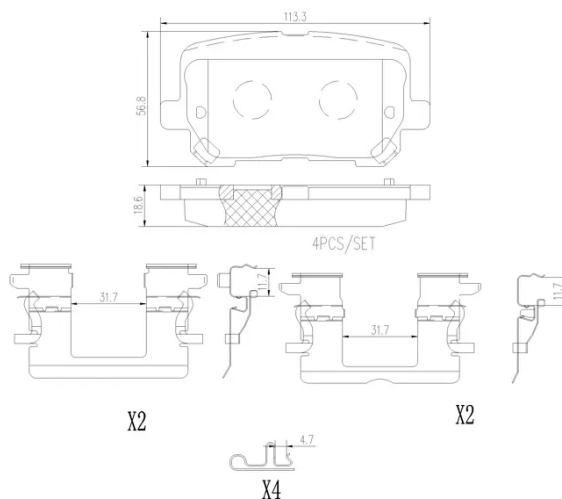
The P18038N NAO brake pad is
synonymous with reliability

Brembo NAO brake pads stand out for their ultimate braking comfort, reduced friction wear and low dust mission, which makes for cleaner rims and reduced maintenance requirements. The advanced friction material in keeping with the strictest environmental standards is the main distinguishing feature of NAO compounds.

- ✓ OE-equivalent
- ✓ Brembo quality
- ✓ Safety
- ✓ Comfort
- ✓ Durability
- ✓ Dust reduction
- ✓ With accessories

Technical specifications

EAN code	Axle	Thickness
8020584116869	Rear	19 mm
Width	Height	
113 mm	57 mm	
Wear indicator	Accessories	
Without	With anti-squeal shim	



COMPATIBLE VEHICLES

COMPATIBLE OE PART NUMBERS

00K68245118AA	DODGE
---------------	-------

00K68245118AB	DODGE
---------------	-------

68245118AA	DODGE
------------	-------

68245118AB	DODGE
------------	-------
