



# BRAKE PAD NAO P23080N

The P23080N NAO brake pad is synonymous with reliability

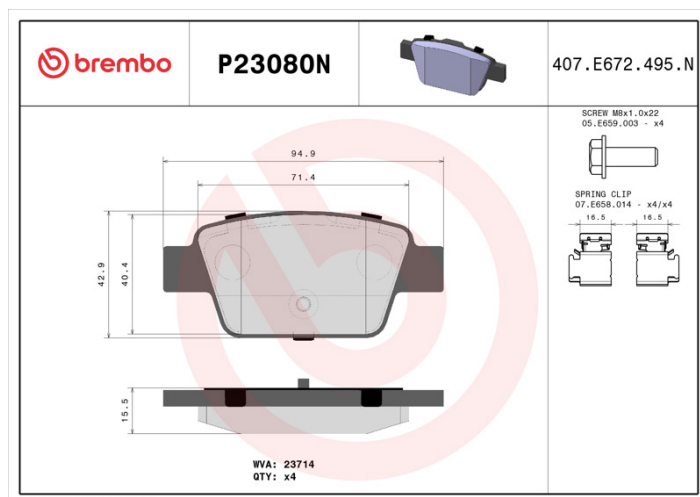
Brembo NAO brake pads stand out for their ultimate braking comfort, reduced friction wear and low dust mission, which makes for cleaner rims and reduced maintenance requirements. The advanced friction material in keeping with the strictest environmental standards is the main distinguishing feature of NAO compounds.

- ✓ OE-equivalent
- ✓ Brembo quality
- ✓ Safety
- ✓ Comfort
- ✓ Durability
- ✓ Dust reduction
- ✓ With accessories



## Technical specifications

EAN code <b>8020584088197</b>	Axle <b>Rear</b>	Thickness <b>16 mm</b>
Width <b>95 mm</b>	Height <b>43 mm</b>	Braking system <b>Bosch</b>
Wear indicator <b>Without</b>	WVA number <b>23714</b>	Accessories <b>With accessories</b> <b>With anti-squeal shim</b> <b>With brake caliper bolts</b>



**COMPATIBLE VEHICLES**

## COMPATIBLE OE PART NUMBERS

6001073153 FIAT

---

71769094 FIAT

---

71770014 FIAT

---

71772225 FIAT

---

71796094 FIAT

---

77362271 FIAT

---

77362768 FIAT

---

77364590 FIAT

---

9949280 FIAT

---