

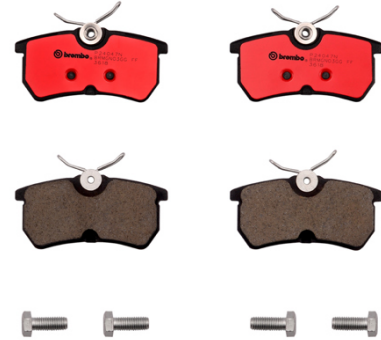


# BRAKE PAD NAO P24047N

**The P24047N NAO brake pad is synonymous with reliability**

Brembo NAO brake pads stand out for their ultimate braking comfort, reduced friction wear and low dust mission, which makes for cleaner rims and reduced maintenance requirements. The advanced friction material in keeping with the strictest environmental standards is the main distinguishing feature of NAO compounds.

- ✓ OE-equivalent
- ✓ Brembo quality
- ✓ Safety
- ✓ Comfort
- ✓ Durability
- ✓ Dust reduction
- ✓ With accessories



## Technical specifications

EAN code  
**8020584096987**

Axle  
**Rear**

Thickness  
**14 mm**

Width  
**87 mm**

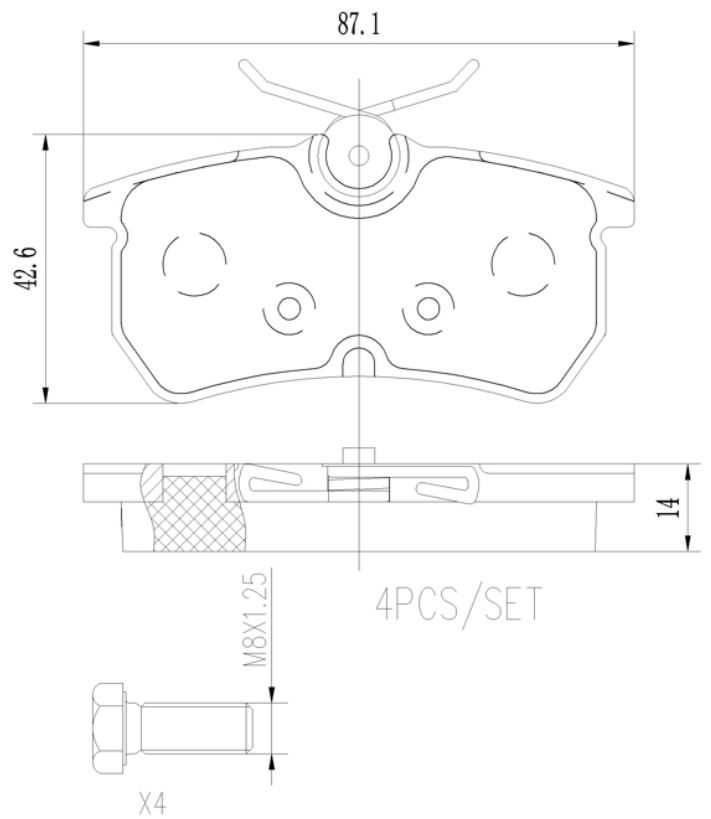
Height  
**43 mm**

Braking system  
**Lucas**

Wear indicator  
**Without**

WVA number  
**23353**

Accessories  
**With anti-squeal shim  
With brake caliper bolts**



## COMPATIBLE VEHICLES

## COMPATIBLE OE PART NUMBERS

1075565	FORD
1107698	FORD
1425407	FORD
1780884	FORD
1802317	FORD
1810990	FORD
1848556	FORD
5382847	FORD
98AB2M008BA	FORD
98AX2M008BA	FORD
98AX2M008BB	FORD
C1BC2M007AA	FORD
C1BC2M008AA	FORD
C1BC2M008AB	FORD
C1BC2M008AC	FORD
C1BZ2200A	FORD
CB1Z2200B	FORD
MEC1BJ2M008AA	FORD
1S4Z2200BA	FORD USA