



BRAKE PAD PRIME CERAMIC P44020N

The P44020N NAO brake pad is synonymous with reliability

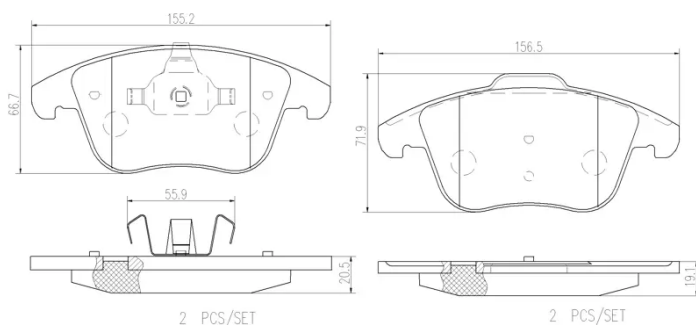
Brembo NAO brake pads stand out for their ultimate braking comfort, reduced friction wear and low dust mission, which makes for cleaner rims and reduced maintenance requirements. The advanced friction material in keeping with the strictest environmental standards is the main distinguishing feature of NAO compounds.

- ✓ OE-equivalent
- ✓ Brembo quality
- ✓ Safety
- ✓ Comfort
- ✓ Durability
- ✓ Dust reduction
- ✓ With accessories



Technical specifications

EAN code 8020584088739	Axle Front	Thickness 19 mm
Width 155 mm	Height 67 mm	Braking system Teves
Wear indicator Without	WVA number 24123,24124	Accessories With anti-squeal shim With accessories With piston clip



COMPATIBLE VEHICLES

COMPATIBLE OE PART NUMBERS

LR027309	LAND ROVER
----------	------------

LR134693	LAND ROVER
----------	------------

10138340	MG (SAIC)
----------	-----------

10767908	MG (SAIC)
----------	-----------

10138340	ROEWE (SAIC)
----------	--------------

10767908	ROEWE (SAIC)
----------	--------------