



# BRAKE PAD PRIME CERAMIC P50045N

The P50045N NAO brake pad is synonymous with reliability

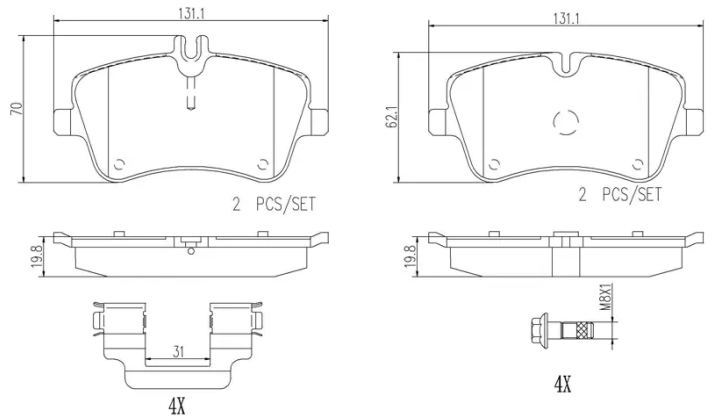
Brembo NAO brake pads stand out for their ultimate braking comfort, reduced friction wear and low dust mission, which makes for cleaner rims and reduced maintenance requirements. The advanced friction material in keeping with the strictest environmental standards is the main distinguishing feature of NAO compounds.

- ✓ OE-equivalent
- ✓ Brembo quality
- ✓ Safety
- ✓ Comfort
- ✓ Durability
- ✓ Dust reduction
- ✓ With accessories



## Technical specifications

EAN code <b>8020584098479</b>	Axle <b>Front</b>	Thickness <b>20 mm</b>
Width <b>131 mm</b>	Height <b>62 mm</b>	Braking system <b>Lucas</b>
Wear indicator <b>Prepared for wear indicator</b>	WVA number <b>23144,23145</b>	Accessories <b>With accessories</b> <b>With brake caliper bolts</b> <b>With anti-squeal shim</b>



COMPATIBLE VEHICLES

## COMPATIBLE OE PART NUMBERS

0034202520	MERCEDES-BENZ
------------	---------------

0034204520	MERCEDES-BENZ
------------	---------------

0034205920	MERCEDES-BENZ
------------	---------------

0034209520	MERCEDES-BENZ
------------	---------------

0054206220	MERCEDES-BENZ
------------	---------------

A0034202520	MERCEDES-BENZ
-------------	---------------

A0034204520	MERCEDES-BENZ
-------------	---------------

A0034205920	MERCEDES-BENZ
-------------	---------------

A0034209520	MERCEDES-BENZ
-------------	---------------

A0054206220	MERCEDES-BENZ
-------------	---------------