



BRAKE PAD PRIME CERAMIC P59077N

The P59077N NAO brake pad is synonymous with reliability

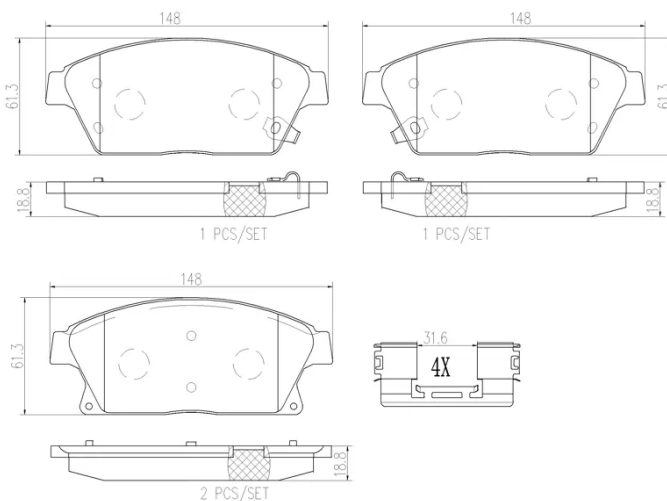
Brembo NAO brake pads stand out for their ultimate braking comfort, reduced friction wear and low dust mission, which makes for cleaner rims and reduced maintenance requirements. The advanced friction material in keeping with the strictest environmental standards is the main distinguishing feature of NAO compounds.

- ✓ OE-equivalent
- ✓ Brembo quality
- ✓ Safety
- ✓ Comfort
- ✓ Durability
- ✓ Dust reduction
- ✓ With accessories



Technical specifications

EAN code 8020584082027	Axle Front	Thickness 19 mm
Width 148 mm	Height 61 mm	Braking system Bosch
Wear indicator Acoustic	WVA number 25035,25036,25034	Accessories With anti-squeal shim



COMPATIBLE VEHICLES

COMPATIBLE OE PART NUMBERS

13412809	BUICK
22737859	BUICK (SGM)
93723740	BUICK (SGM)
13301234	CHEVROLET
13412810	CHEVROLET
22799077	CHEVROLET
39126138	CHEVROLET
42793254	CHEVROLET (SGM)
22737859	GENERAL MOTORS
23242201	GENERAL MOTORS
13301234	OPEL
13412810	OPEL
1605135	OPEL
1605178	OPEL
1605263	OPEL
1680880380	OPEL
22799077	OPEL
542115	OPEL
95516193	OPEL
95530017	OPEL
13301234	VAUXHALL
13412810	VAUXHALL
1605135	VAUXHALL
1605178	VAUXHALL
22799077	VAUXHALL
542115	VAUXHALL
95530017	VAUXHALL