



BRAKE PAD PRIME CERAMIC P65046N

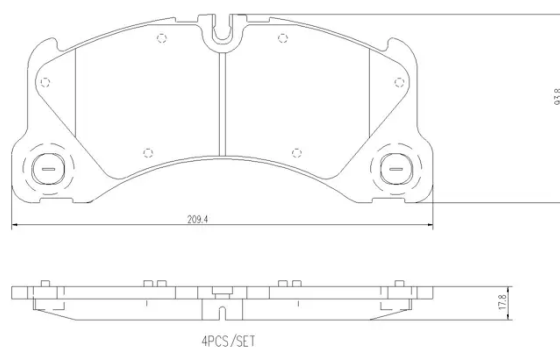
The P65046N NAO brake pad is
synonymous with reliability

Brembo NAO brake pads stand out for their ultimate braking comfort, reduced friction wear and low dust mission, which makes for cleaner rims and reduced maintenance requirements. The advanced friction material in keeping with the strictest environmental standards is the main distinguishing feature of NAO compounds.

- ✓ OE-equivalent
- ✓ Brembo quality
- ✓ Safety
- ✓ Comfort
- ✓ Durability
- ✓ Dust reduction
- ✓ With accessories

Technical specifications

EAN code	Axle	Thickness
8020584119792	Front	17 mm
Width	Height	
210 mm	95 mm	
Wear indicator	WVA number	Accessories
Prepared for wear indicator	21524	With anti-squeal shim



COMPATIBLE OE PART NUMBERS

95B698151AK	PORSCHE
-------------	---------

95B698151AP	PORSCHE
-------------	---------

971698151AB	PORSCHE
-------------	---------

971698151AE	PORSCHE
-------------	---------

971698151S	PORSCHE
------------	---------

9Y0698151AP	PORSCHE
-------------	---------

9Y0698151P	PORSCHE
------------	---------

9Y0698151S	PORSCHE
------------	---------