



# BRAKE PAD

## P 23 023

**The P 23 023 brake pad is synonymous with reliability**

The Brembo brake pad guarantees ultimate safety when braking thanks to the use of more than 100 different compounds, designed according to the type of vehicle and use. Stopping distances reduced to a minimum, maximum driving comfort and silent operation are the most important features of Brembo materials. Brembo brake pads are supplied together with an extensive range of accessories and assembly kits for professional-standard installation.

- ✓ OE-equivalent
- ✓ Brembo quality
- ✓ ECE-R90 certificate
- ✓ Safety
- ✓ Performance
- ✓ Comfort
- ✓ With accessories



## Technical specifications

EAN code  
**8020584050934**

Axle  
**Front**

Thickness  
**19 mm**

Width  
**145 mm**

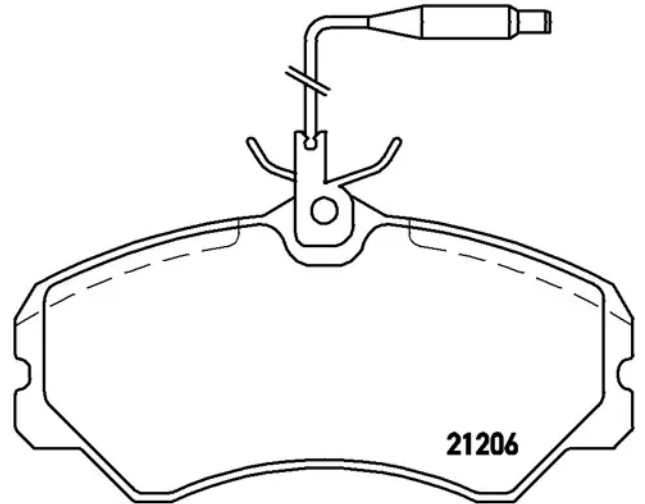
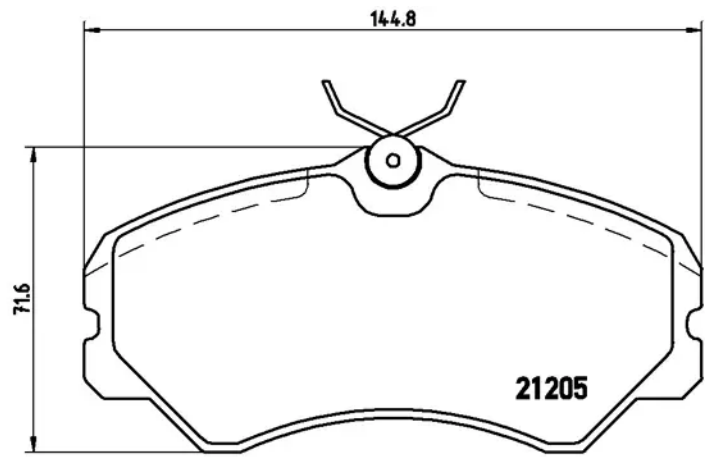
Height  
**72 mm**

Braking system  
**Lucas**

Wear indicator  
**Electric**

WVA number  
**21206,21205**

Accessories  
**With accessories  
With brake caliper  
bolts  
With anti-squeal  
shim**



COMPATIBLE VEHICLES

## COMPATIBLE OE PART NUMBERS

09938205	CITROËN
425047	CITROËN
425058	CITROËN
425105	CITROËN
4254A5	CITROËN
95623223	CITROËN
95640895	CITROËN
95667765	CITROËN
E172156	CITROËN
71770968	FIAT
09938205	PEUGEOT
425047	PEUGEOT
425058	PEUGEOT
425105	PEUGEOT
4254A5	PEUGEOT
95623223	PEUGEOT
95640895	PEUGEOT
95667765	PEUGEOT
E172156	PEUGEOT