



BRAKE PAD

P 23 061

The P 23 061 brake pad is synonymous with reliability

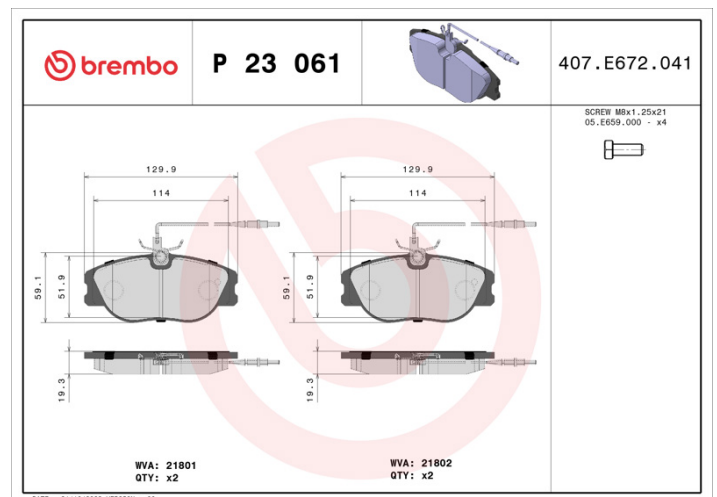
The Brembo brake pad guarantees ultimate safety when braking thanks to the use of more than 100 different compounds, designed according to the type of vehicle and use. Stopping distances reduced to a minimum, maximum driving comfort and silent operation are the most important features of Brembo materials. Brembo brake pads are supplied together with an extensive range of accessories and assembly kits for professional-standard installation.

- ✓ OE-equivalent
- ✓ Brembo quality
- ✓ ECE-R90 certificate
- ✓ Safety
- ✓ Performance
- ✓ Comfort



Technical specifications

| | | |
|-----------------------------------|----------------------------------|--|
| EAN code 8020584051313 | Axle Front | Thickness 19 mm |
| Width 130 mm | Height 60 mm | Braking system Girling |
| Wear indicator Electric | WVA number 21801,21802 | Accessories With brake caliper bolts |



COMPATIBLE VEHICLES

COMPATIBLE OE PART NUMBERS

71752992 ALFA ROMEO

77362237 ALFA ROMEO

1611458180 CITROËN

1617249280 CITROËN

425109 CITROËN

425110 CITROËN

425453 CITROËN

E172039 CITROËN

E172519 CITROËN

71752992 FIAT

71770974 FIAT

77362237 FIAT

9946016 FIAT

71752992 LANCIA

77362237 LANCIA

1611458180 PEUGEOT

1617249280 PEUGEOT

425109 PEUGEOT

425110 PEUGEOT

425453 PEUGEOT

E172039 PEUGEOT

E172519 PEUGEOT
