



# BRAKE PAD

## P 24 216

The P 24 216 brake pad is synonymous with reliability

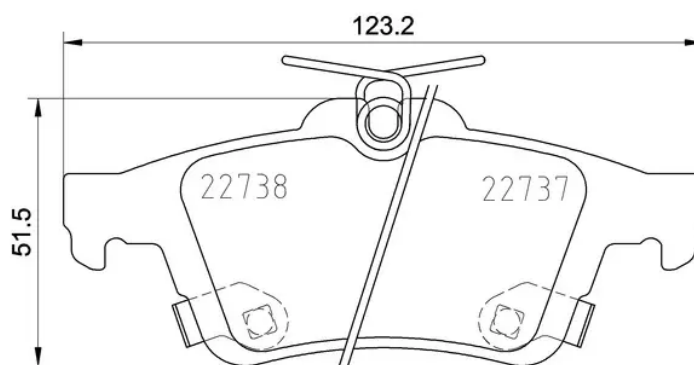
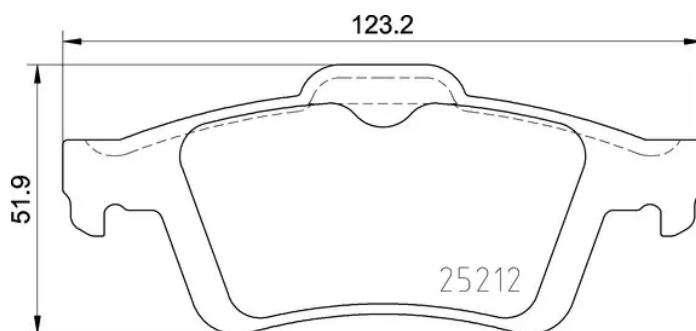
The Brembo brake pad guarantees ultimate safety when braking thanks to the use of more than 100 different compounds, designed according to the type of vehicle and use. Stopping distances reduced to a minimum, maximum driving comfort and silent operation are the most important features of Brembo materials. Brembo brake pads are supplied together with an extensive range of accessories and assembly kits for professional-standard installation.

- ✓ OE-equivalent
- ✓ Brembo quality
- ✓ ECE-R90 certificate
- ✓ Safety
- ✓ Performance
- ✓ Comfort



### Technical specifications

EAN code	Axle	Thickness
<b>8020584112861</b>	<b>Rear</b>	<b>16 mm</b>
Width	Height	Braking system
<b>123 mm</b>	<b>52 mm</b>	<b>ATE</b>
Wear indicator	WVA number	Accessories
<b>Acoustic</b>	<b>22738,25212,22737</b>	<b>With anti-squeal shim</b>



## COMPATIBLE OE PART NUMBERS

1936698	FORD
---------	------

---

2019129	FORD
---------	------

---

BV6Z2200C	FORD
-----------	------

---

G1FY2M008AB	FORD
-------------	------

---

G1FY2M008AC	FORD
-------------	------

---

G1FZ2200A	FORD
-----------	------

---

GN1Z2200D	FORD
-----------	------

---