



BRAKE PAD

P 28 066

The P 28 066 brake pad is synonymous with reliability

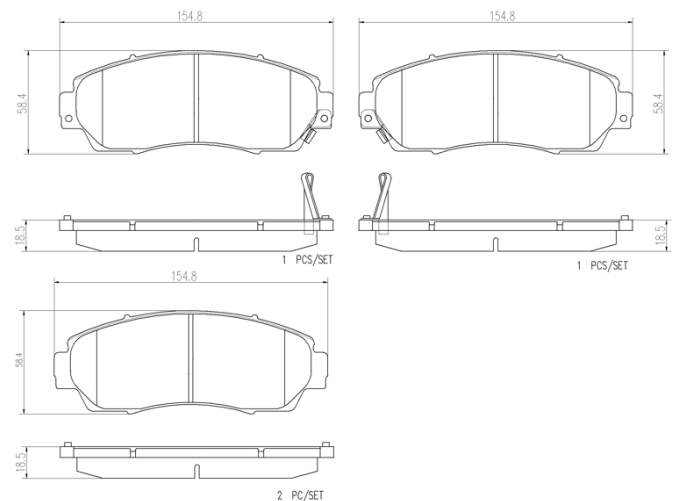
The Brembo brake pad guarantees ultimate safety when braking thanks to the use of more than 100 different compounds, designed according to the type of vehicle and use. Stopping distances reduced to a minimum, maximum driving comfort and silent operation are the most important features of Brembo materials. Brembo brake pads are supplied together with an extensive range of accessories and assembly kits for professional-standard installation.

- ✓ OE-equivalent
- ✓ Brembo quality
- ✓ ECE-R90 certificate
- ✓ Safety
- ✓ Performance
- ✓ Comfort



Technical specifications

EAN code 8020584087091	Axle Front	Thickness 19 mm
Width 155 mm	Height 58 mm	Braking system Akebono
Wear indicator Acoustic	WVA number 24342	Accessories With anti-squeal shim



COMPATIBLE OE PART NUMBERS

4546005	AEOLUS
4546014	AEOLUS
5311F2603011700	CHANGAN
5311F2603012800	CHANGAN
4546014	FENGSHEN
3501115XKZ16A	GREAT WALL
3501115XKZ16B	GREAT WALL
3501120XK02XA	GREAT WALL
3501151AGW01A	HAVAL
3501306AGW01A	HAVAL
3501306XGW01A	HAVAL
3501407XGW01A	HAVAL