



BRAKE PAD

P 50 129G

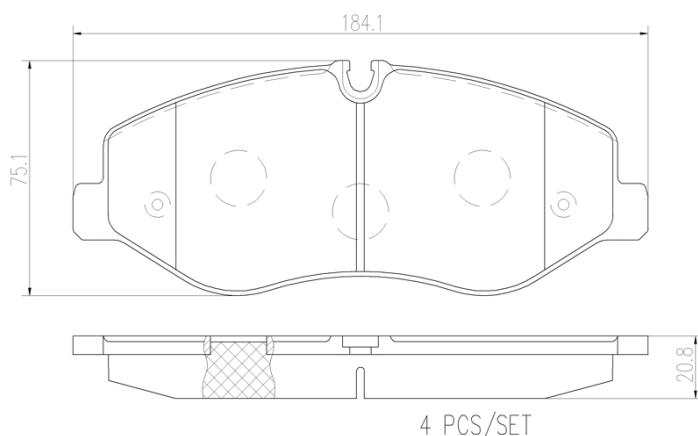
The P 50 129G brake pad is synonymous with reliability

The Brembo brake pad guarantees ultimate safety when braking thanks to the use of more than 100 different compounds, designed according to the type of vehicle and use. Stopping distances reduced to a minimum, maximum driving comfort and silent operation are the most important features of Brembo materials. Brembo brake pads are supplied together with an extensive range of accessories and assembly kits for professional-standard installation.

- ✓ OE-equivalent
- ✓ Brembo quality
- ✓ ECE-R90 certificate
- ✓ Safety
- ✓ Performance
- ✓ Comfort

Technical specifications

EAN code	Axle	Thickness
8020584125007	Front	21 mm
Width	Height	Braking system
184 mm	75 mm	Brembo
Wear indicator	WVA number	
Prepared for wear indicator	22062	



COMPATIBLE VEHICLES