



# BRAKE PAD

## P 50 173

The P 50 173 brake pad is synonymous with reliability

The Brembo brake pad guarantees ultimate safety when braking thanks to the use of more than 100 different compounds, designed according to the type of vehicle and use. Stopping distances reduced to a minimum, maximum driving comfort and silent operation are the most important features of Brembo materials. Brembo brake pads are supplied together with an extensive range of accessories and assembly kits for professional-standard installation.



- ✓ OE-equivalent
- ✓ Brembo quality
- ✓ ECE-R90 certificate
- ✓ Safety
- ✓ Performance
- ✓ Comfort

### Technical specifications

EAN code  
**8020584125748**

Axle  
**Front**

Thickness  
**19 mm**

Width  
**141 mm**

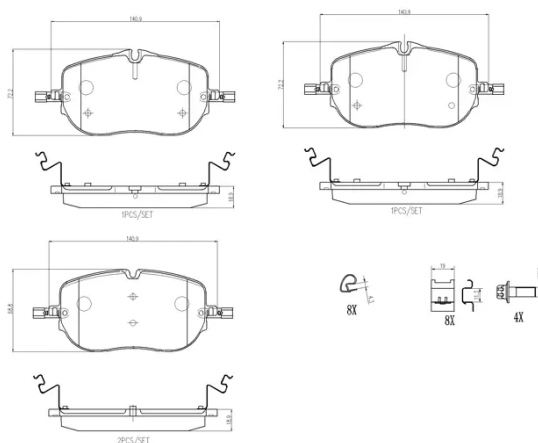
Height  
**69 mm**

Braking system  
**CBI**

Wear indicator  
**Prepared for wear indicator**

WVA number  
**26592,26593**

Accessories  
**With anti-squeal shim**



COMPATIBLE VEHICLES

## COMPATIBLE OE PART NUMBERS

0004200004	MERCEDES-BENZ
------------	---------------

0004200104	MERCEDES-BENZ
------------	---------------

0004203103	MERCEDES-BENZ
------------	---------------

0004203203	MERCEDES-BENZ
------------	---------------

0004211702	MERCEDES-BENZ
------------	---------------

A0004200004	MERCEDES-BENZ
-------------	---------------

A0004200104	MERCEDES-BENZ
-------------	---------------

A0004203103	MERCEDES-BENZ
-------------	---------------

A0004203203	MERCEDES-BENZ
-------------	---------------

A0004211702	MERCEDES-BENZ
-------------	---------------