



BRAKE PAD

P 85 135

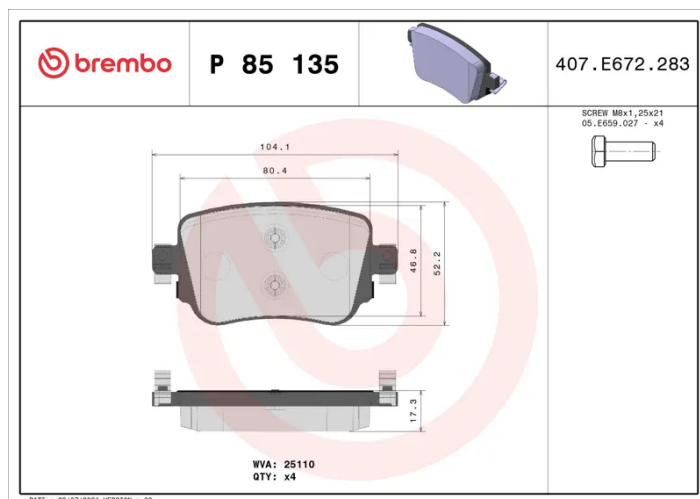
The P 85 135 brake pad is synonymous with reliability

The Brembo brake pad guarantees ultimate safety when braking thanks to the use of more than 100 different compounds, designed according to the type of vehicle and use. Stopping distances reduced to a minimum, maximum driving comfort and silent operation are the most important features of Brembo materials. Brembo brake pads are supplied together with an extensive range of accessories and assembly kits for professional-standard installation.

- ✓ OE-equivalent
- ✓ Brembo quality
- ✓ ECE-R90 certificate
- ✓ Safety
- ✓ Performance
- ✓ Comfort
- ✓ With accessories

Technical specifications

EAN code 8020584110867	Axle Rear	Thickness 18 mm
Width 104 mm	Height 52 mm	Braking system Lucas
Wear indicator Without	WVA number 25110	Accessories With brake caliper bolts With anti-squeal shim With accessories



COMPATIBLE VEHICLES

COMPATIBLE OE PART NUMBERS

2K5698451A	AUDI
------------	------

2K5698451B	AUDI
------------	------

2Q0698451D	AUDI
------------	------

5Q0698451B	AUDI
------------	------

5Q0698451F	AUDI
------------	------

L5QD698451B	AUDI (FAW)
-------------	------------

2K5698451A	SEAT
------------	------

2K5698451B	SEAT
------------	------

5Q0698451B	SEAT
------------	------

5Q0698451F	SEAT
------------	------

5Q0698451L	SEAT
------------	------

2K5698451A	SKODA
------------	-------

2K5698451B	SKODA
------------	-------

5Q0698451B	SKODA
------------	-------

5Q0698451F	SKODA
------------	-------

2K5698451A	VW
------------	----

2K5698451B	VW
------------	----

2K5698451C	VW
------------	----

5Q0698451B	VW
------------	----

5Q0698451F	VW
------------	----

7N0698451B	VW
------------	----

7N0698451D	VW
------------	----

L5QD698451B	VW (FAW)
-------------	----------