



SP BRAKE PAD 07BB20SP

The 07BB20SP brake pad is synonymous with reliability

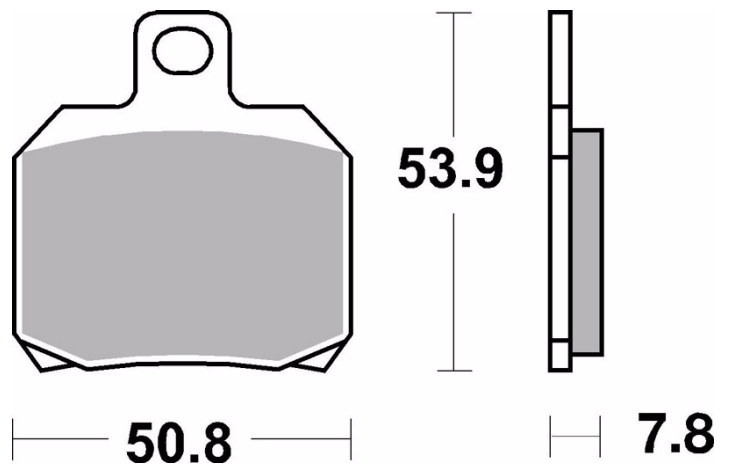
Sintered compound, for rear application and stable in all conditions of use.

- ✓ OE-equivalent
- ✓ Brembo quality
- ✓ ECE-R90 certificate
- ✓ Safety
- ✓ Comfort



Technical specifications

| | | |
|----------|---------------|-----------|
| Width | Height | Thickness |
| 0 mm | 54 mm | 8 mm |
| Compound | Units per box | |
| Sinter | 2 | |



COMPATIBLE VEHICLES