



CC BRAKE PAD 07HO3005

The 07HO3005 brake pad is synonymous with reliability

the evolution of the organic compound, using more carbon. High mileage, excellent hot and cold performance, in dry and wet conditions alike

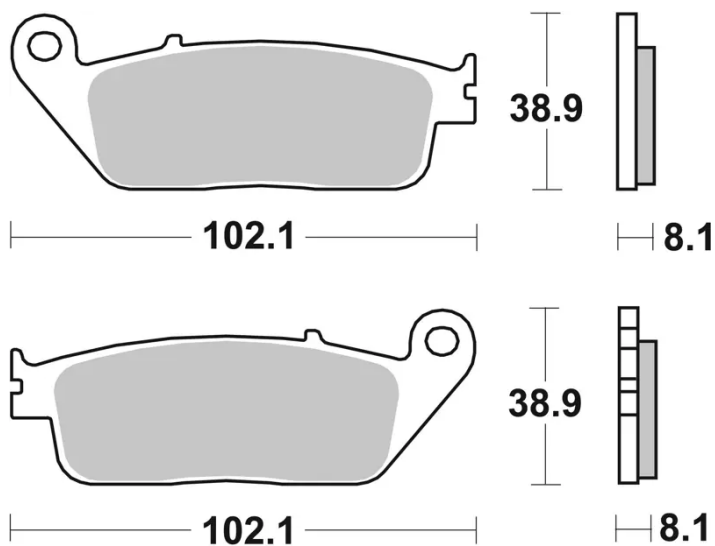
- ✓ OE-equivalent
- ✓ Brembo quality
- ✓ ECE-R90 certificate
- ✓ Safety
- ✓ Comfort
- ✓ Durability



Technical specifications

Width mm Height **38,9 mm** Thickness **8,1 mm**

Compound Units per box
Carbon ceramic **2**



COMPATIBLE VEHICLES