



# BRAKE DISC PAINTED

## 08.5178.31

The 08.5178.31 painted brake disc is synonymous with reliability

The Brembo brake disc with special UV paint treatment guarantees superior corrosion resistance for the product, thanks to the protective coating on the outer edges and on the disc hub. The UV paint not only gives the disc a clean, shiny appearance but is also beneficial for the environment as the water-based UV paint treatment does not require the use of chemical solvents and is a low energy consumption process.

- ✓ OE-equivalent
- ✓ Brembo quality
- ✓ ECE-R90 certificate
- ✓ Safety
- ✓ Anti-corrosion
- ✓ Fastening screws



### Technical specifications



EAN code  
**8020584014196**

Axle  
**Rear**

Diameter Ø  
**278 mm**

Thickness (TH)  
**9 mm**

Height (A)  
**55 mm**

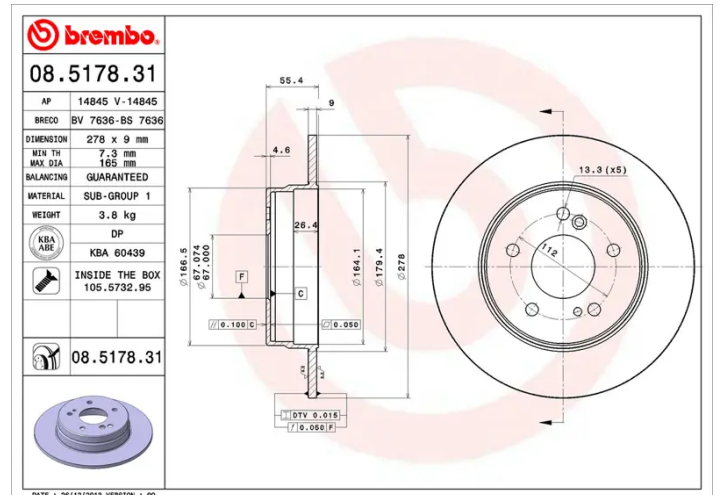
Number of holes (C)  
**5**

Brake disc type  
**Solid**

Centering (B)  
**67 mm**

Min. thickness  
**7,3 mm**

Tightening torque  
**110 Nm**



**COMPATIBLE VEHICLES**

## COMPATIBLE OE PART NUMBERS

5098065AA CHRYSLER

---

5098066AA CHRYSLER

---

68031811AA CHRYSLER

---

2034230012 MERCEDES-BENZ

---

2034230112 MERCEDES-BENZ

---

2104230112 MERCEDES-BENZ

---

2104230412 MERCEDES-BENZ

---

2104230912 MERCEDES-BENZ

---

A2034230012 MERCEDES-BENZ

---

A2034230112 MERCEDES-BENZ

---

A2104230412 MERCEDES-BENZ

---

A2104230912 MERCEDES-BENZ

---