



# BRAKE DISC PAINTED

## 08.5366.21

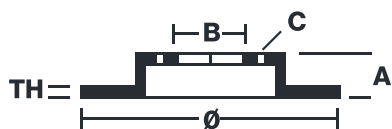
The 08.5366.21 painted brake disc is synonymous with reliability

The Brembo brake disc with special UV paint treatment guarantees superior corrosion resistance for the product, thanks to the protective coating on the outer edges and on the disc hub. The UV paint not only gives the disc a clean, shiny appearance but is also beneficial for the environment as the water-based UV paint treatment does not require the use of chemical solvents and is a low energy consumption process.

- ✓ OE-equivalent
- ✓ Brembo quality
- ✓ ECE-R90 certificate
- ✓ Safety
- ✓ Anti-corrosion
- ✓ Fastening screws



### Technical specifications



EAN code  
**8020584025642**

Axle  
**Rear**

Diameter Ø  
**280 mm**

Thickness (TH)  
**10 mm**

Height (A)  
**60 mm**

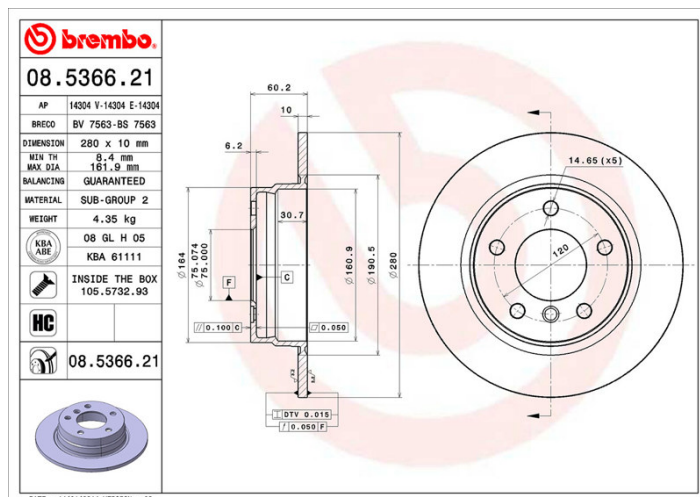
Number of holes (C)  
**5**

Brake disc type  
**Solid**

Centering (B)  
**75 mm**

Min. thickness  
**8,4 mm**

Tightening torque  
**120 Nm**



COMPATIBLE VEHICLES

## COMPATIBLE OE PART NUMBERS

31211158936 BMW

---

34211158936 BMW

---

34211162284 BMW

---

34211162289 BMW

---

34211164401 BMW

---

34211164511 BMW

---

34211165457 BMW

---

34216855158 BMW

---

34216864051 BMW

---

34211158936 DE LA CHAPELLE

---