



BRAKE DISC PAINTED

08.A157.11

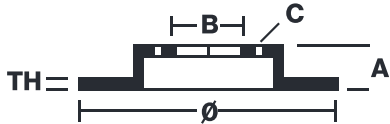
The 08.A157.11 painted brake disc is synonymous with reliability

The Brembo brake disc with special UV paint treatment guarantees superior corrosion resistance for the product, thanks to the protective coating on the outer edges and on the disc hub. The UV paint not only gives the disc a clean, shiny appearance but is also beneficial for the environment as the water-based UV paint treatment does not require the use of chemical solvents and is a low energy consumption process.

- ✓ OE-equivalent
- ✓ Brembo quality
- ✓ ECE-R90 certificate
- ✓ Safety
- ✓ Anti-corrosion




Technical specifications

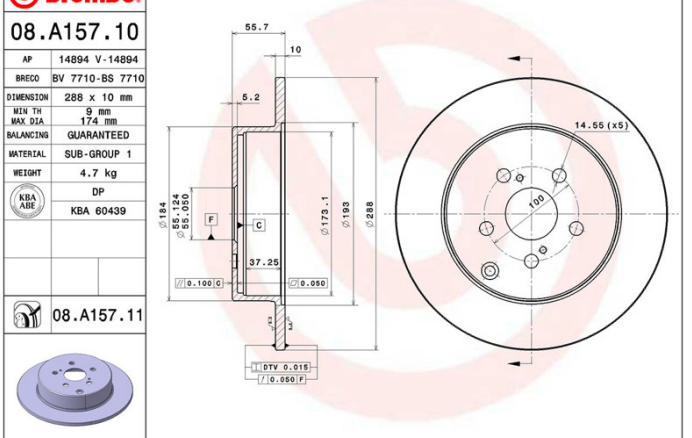


EAN code 8020584037874	Axle Rear	Diameter \varnothing 288 mm
Thickness (TH) 10 mm	Height (A) 56 mm	Number of holes (C) 5
Brake disc type Solid	Centering (B) 55 mm	Min. thickness 9 mm

Tightening torque
103 Nm



08.A157.10	
AP	14894 V-14894
BRECO	BV 7710-BS 7710
DIMENSION	288 x 10 mm
MIN TH	9 mm
MAX DIA	174 mm
BALANCING	GUARANTEED
MATERIAL	SUB-GROUP 1
WEIGHT	4.7 kg
	DP
KBA ABS	KBA 60439



DATE : 13/06/2015 VERSION : 00

COMPATIBLE VEHICLES

COMPATIBLE OE PART NUMBERS

4243121010

TOYOTA

4243121011

TOYOTA