



BRAKE DISC PAINTED

08.A355.11

The 08.A355.11 painted brake disc is synonymous with reliability

The Brembo brake disc with special UV paint treatment guarantees superior corrosion resistance for the product, thanks to the protective coating on the outer edges and on the disc hub. The UV paint not only gives the disc a clean, shiny appearance but is also beneficial for the environment as the water-based UV paint treatment does not require the use of chemical solvents and is a low energy consumption process.

- ✓ OE-equivalent
- ✓ Brembo quality
- ✓ ECE-R90 certificate
- ✓ Safety
- ✓ Anti-corrosion
- ✓ Fastening screws



Technical specifications



EAN code
8020584031582

Axle
Rear

Diameter Ø
305 mm

Thickness (TH)
9 mm

Height (A)
61 mm

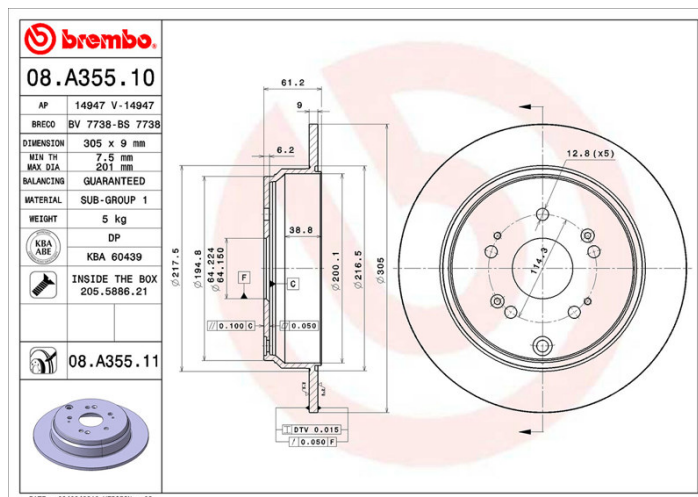
Number of holes (C)
5

Brake disc type
Solid

Centering (B)
64 mm

Min. thickness
7,5 mm

Tightening torque
108 Nm



COMPATIBLE VEHICLES

COMPATIBLE OE PART NUMBERS

42510TX4A01	ACURA
42510TX4A02	ACURA
42510S9AE50	HONDA
42510SA9E50	HONDA
42510SCAE50	HONDA
42510STKA00	HONDA
42510SWA000	HONDA
42510SWAA00	HONDA
42510SWAA01	HONDA
42510SWAA02	HONDA
42510XSA00	HONDA
42510T0AA00	HONDA
42510T0GA01	HONDA
42510T0GA02	HONDA
42510T0GA04	HONDA
42510T0TH00	HONDA (DONGFENG)