



# BRAKE DISC CO-CAST

## 08.D530.13

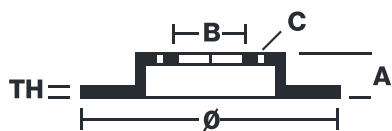
Co-Cast brake disc 08.D530.13 belongs to Brembo Premium Line

The Co-Cast brake disc consists of a steel hat cast onto the high-carbon cast iron braking surface. This technology not only ensures superior performance for the braking system but also allows the weight of the disc itself to be reduced by up to 15%, resulting in reduced consumption and emission levels and improved road handling.

- ✓ OE-equivalent
- ✓ Brembo quality
- ✓ ECE-R90 certificate
- ✓ Weight reduction
- ✓ High carbon
- ✓ Bi-Material Brake Disc
- ✓ Anti-corrosion
- ✓ Fastening screws
- ✓ Fading resistance



### Technical specifications



EAN code  
**8020584226193**

Axle  
**Rear**

Diameter Ø  
**300 mm**

Thickness (TH)  
**12 mm**

Height (A)  
**49 mm**

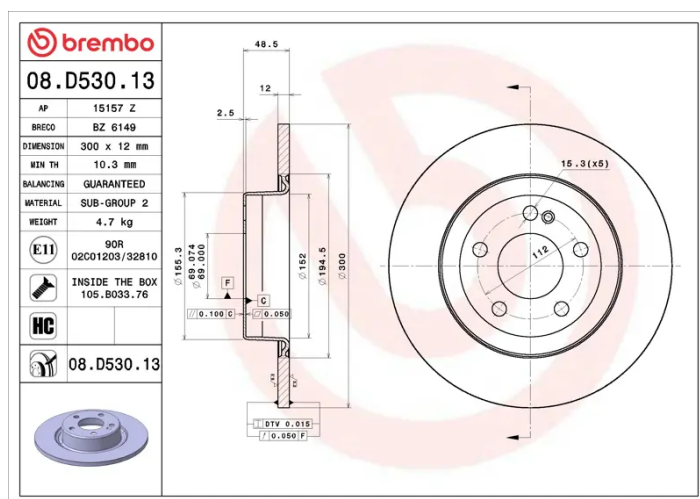
Number of holes (C)  
**5**

Brake disc type  
**Solid**

Centering (B)  
**69 mm**

Min. thickness  
**10,3 mm**

Tightening torque  
**150 Nm**



## COMPATIBLE OE PART NUMBERS

0004230512	MERCEDES-BENZ
A0004230512	MERCEDES-BENZ
A0004230512	MERCEDES-BENZ (BBDC)