



# BRAKE DISC

## 09.5673.14

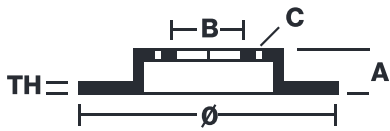
The **09.5673.14** brake disc is synonymous with reliability

The Brembo brake disc is fully interchangeable with an Original Equipment brake disc. The control of the entire production cycle allows Brembo to offer brake discs with outstanding performance levels, reliability, durability and comfort in all conditions of use. All Brembo brake discs are accompanied by the ECE-R90 homologation.

- ✓ OE-equivalent
- ✓ Brembo quality
- ✓ ECE-R90 certificate
- ✓ Safety



### Technical specifications



EAN code  
**8020584013977**

Axle  
**Front**

Diameter Ø  
**260** mm

Thickness (TH)  
**24** mm

Height (A)  
**57** mm

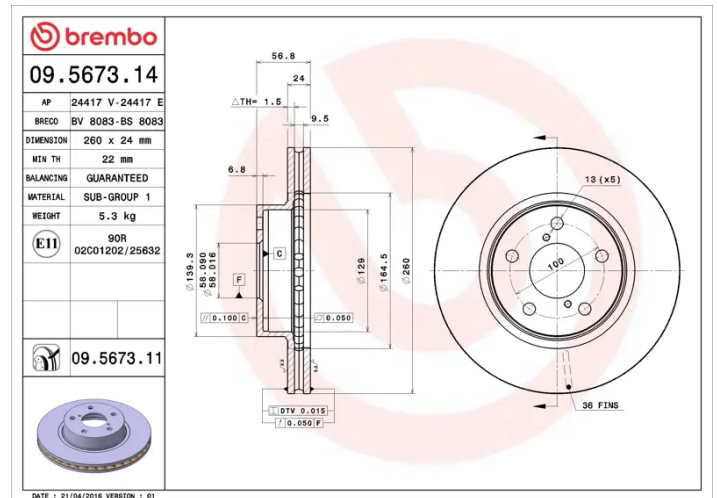
Number of holes (C)  
**5**

Brake disc type  
**Ventilated**

Centering (B)  
**58** mm

Min. thickness  
**22** mm

Tightening torque  
**100** Nm



**COMPATIBLE VEHICLES**

## COMPATIBLE OE PART NUMBERS

26300AE040	SUBARU
------------	--------

26300AE090	SUBARU
------------	--------

26300AE091	SUBARU
------------	--------

26310AA021	SUBARU
------------	--------

26310AA031	SUBARU
------------	--------

26310AA032	SUBARU
------------	--------

26310AC060	SUBARU
------------	--------

26310AC06A	SUBARU
------------	--------