



BRAKE DISC PAINTED

09.5935.11

The 09.5935.11 painted brake disc is synonymous with reliability

The Brembo brake disc with special UV paint treatment guarantees superior corrosion resistance for the product, thanks to the protective coating on the outer edges and on the disc hub. The UV paint not only gives the disc a clean, shiny appearance but is also beneficial for the environment as the water-based UV paint treatment does not require the use of chemical solvents and is a low energy consumption process.

- ✓ OE-equivalent
- ✓ Brembo quality
- ✓ ECE-R90 certificate
- ✓ Safety
- ✓ Anti-corrosion
- ✓ Fastening screws

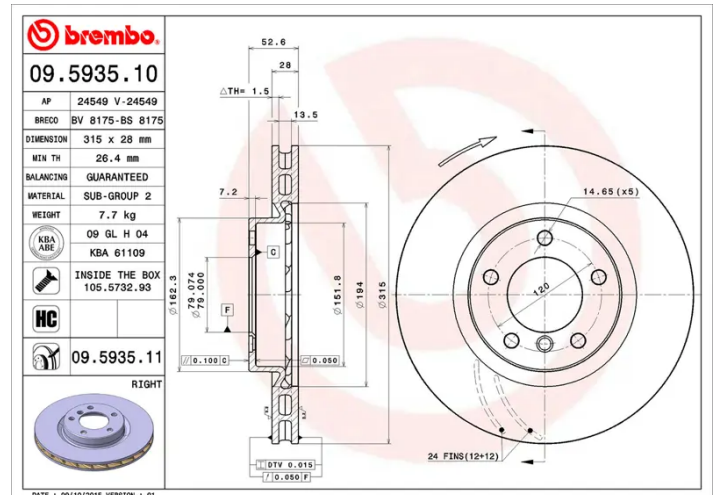


Technical specifications



EAN code 8020584212219	Axle Front right	Diameter Ø 315 mm
Thickness (TH) 28 mm	Height (A) 53 mm	Number of holes (C) 5
Brake disc type Ventilated	Centering (B) 79 mm	Min. thickness 26,4 mm

Tightening torque
120 Nm



COMPATIBLE VEHICLES

COMPATIBLE OE PART NUMBERS

34112227172	BMW
-------------	-----

34112227738	BMW
-------------	-----

34112227172	WIESMANN
-------------	----------
