



# BRAKE DISC

## 09.8003.10

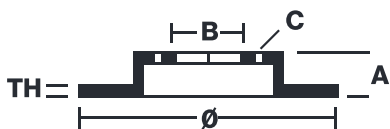
The **09.8003.10** brake disc is synonymous with reliability

The Brembo brake disc is fully interchangeable with an Original Equipment brake disc. The control of the entire production cycle allows Brembo to offer brake discs with outstanding performance levels, reliability, durability and comfort in all conditions of use. All Brembo brake discs are accompanied by the ECE-R90 homologation.

- ✓ OE-equivalent
- ✓ Brembo quality
- ✓ ECE-R90 certificate
- ✓ Safety
- ✓ PVT ventilation



### Technical specifications



EAN code **8020584800317** Axle **Front and rear**

Thickness (TH) **28 mm** Height (A) **44 mm**

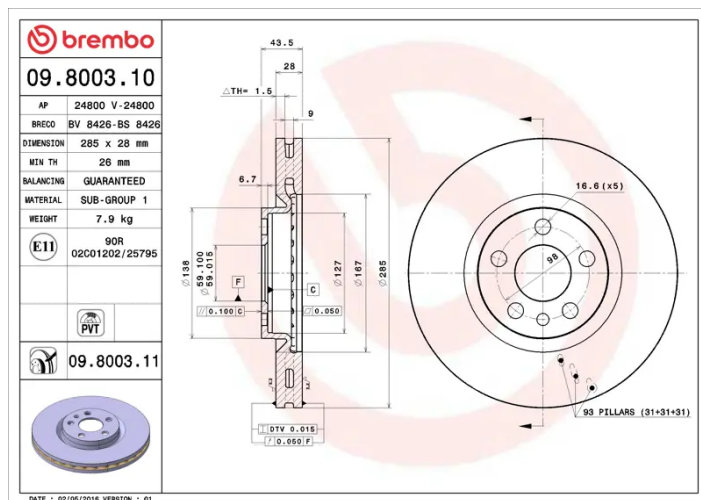
Brake disc type **Ventilated** Centering (B) **59 mm**

Tightening torque **100 Nm**

Diameter  $\varnothing$  **285 mm**

Number of holes (C) **5**

Min. thickness **26 mm**



**COMPATIBLE VEHICLES**

## COMPATIBLE OE PART NUMBERS

1618862880 CITROËN

---

4246P2 CITROËN

---

4249H7 CITROËN

---

E169146 CITROËN

---

1325772080 FIAT

---

1331301080 FIAT

---

1340179080 FIAT

---

1340193080 FIAT

---

1325772080 LANCIA

---

1331301080 LANCIA

---

1340179080 LANCIA

---

1340193080 LANCIA

---

10008343 MG

---

10023289 MG

---

SDB000960 MG

---

10008343 MG (SAIC)

---

10023289 MG (SAIC)

---

SDB000960 MG (SAIC)

---

1618862880 PEUGEOT

---

4246P1 PEUGEOT

---

4246P2 PEUGEOT

---

4249H7 PEUGEOT

---

E169146 PEUGEOT

---

10008343 ROEWE (SAIC)

---

10023289 ROEWE (SAIC)

---

SDB000960 ROEWE (SAIC)

---