



BRAKE DISC PAINTED

09.9368.11

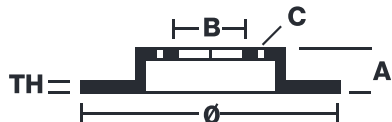
The 09.9368.11 painted brake disc is synonymous with reliability

The Brembo brake disc with special UV paint treatment guarantees superior corrosion resistance for the product, thanks to the protective coating on the outer edges and on the disc hub. The UV paint not only gives the disc a clean, shiny appearance but is also beneficial for the environment as the water-based UV paint treatment does not require the use of chemical solvents and is a low energy consumption process.

- ✓ OE-equivalent
- ✓ Brembo quality
- ✓ ECE-R90 certificate
- ✓ Safety
- ✓ Anti-corrosion

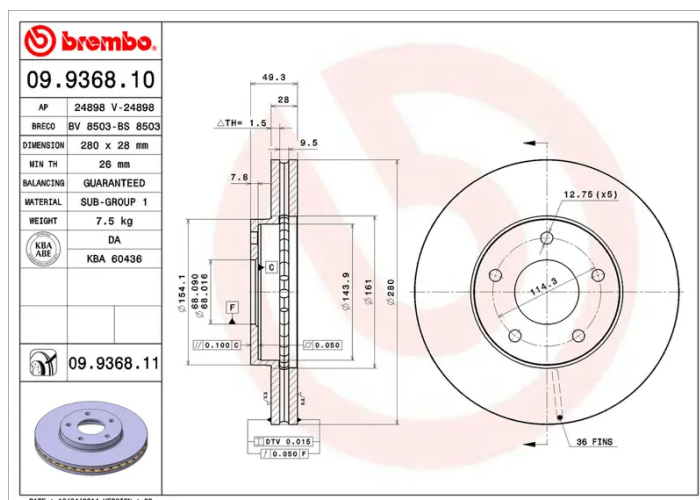


Technical specifications



EAN code	Axle	Diameter Ø
8020584033197	Front	280 mm
Thickness (TH)	Height (A)	Number of holes (C)
28 mm	49 mm	5
Brake disc type	Centering (B)	Min. thickness
Ventilated	68 mm	26 mm

Tightening torque
108 Nm



COMPATIBLE VEHICLES

COMPATIBLE OE PART NUMBERS

40206009VA	NISSAN
------------	--------

402063Y502	NISSAN
------------	--------

402063Y503	NISSAN
------------	--------

402064U101	NISSAN
------------	--------

402064U103	NISSAN
------------	--------

402064U105	NISSAN
------------	--------

402064U107	NISSAN
------------	--------

40206WF100	NISSAN
------------	--------

40206WF101	NISSAN
------------	--------

40206WF102	NISSAN
------------	--------

D02063Y50BVA	NISSAN
--------------	--------