



BRAKE DISC

09.9574.40

The **09.9574.40** brake disc is synonymous with reliability

The Brembo brake disc is fully interchangeable with an Original Equipment brake disc. The control of the entire production cycle allows Brembo to offer brake discs with outstanding performance levels, reliability, durability and comfort in all conditions of use. All Brembo brake discs are accompanied by the ECE-R90 homologation.

- ✓ OE-equivalent
- ✓ Brembo quality
- ✓ ECE-R90 certificate
- ✓ Safety



Technical specifications



EAN code
8020584957448

Axle
Front

Diameter Ø
280 mm

Thickness (TH)
26 mm

Height (A)
47 mm

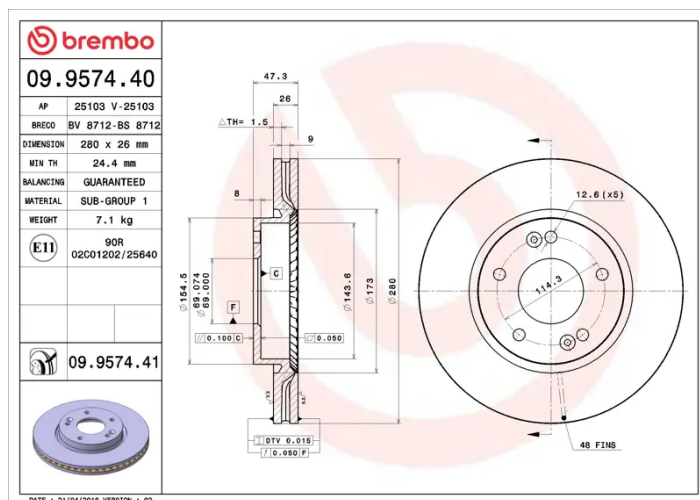
Number of holes (C)
5

Brake disc type
Ventilated

Centering (B)
69 mm

Min. thickness
24,4 mm

Tightening torque
100 Nm



COMPATIBLE VEHICLES

COMPATIBLE OE PART NUMBERS

517121H000	HYUNDAI
------------	---------

517121H100	HYUNDAI
------------	---------

517122L000	HYUNDAI
------------	---------

517121H000	KIA
------------	-----

517121H100	KIA
------------	-----

517122K100	KIA
------------	-----

517122L000	KIA
------------	-----

5517122K100	KIA
-------------	-----