



DRUM

14.5815.10

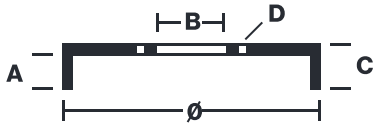
The 14.5815.10 drum is synonymous with reliability

Brembo has developed several design solutions for drum brakes which combine multiple materials to reduce the overall weight. The most popular range of lamellar graphite cast iron drums is supplemented by cast iron drums with a steel sprocket flange and aluminium drums, whereby only the inner part of the drum on which the shoes operate are made of lamellar cast iron, namely the brake band. Additionally drums with built-in bearing kit and hub are added to this range.

- ✓ OE-equivalent
- ✓ Brembo quality
- ✓ Safety
- ✓ Durability



Technical specifications



EAN code
8020584581513

Axle
Rear

Diameter
200 mm

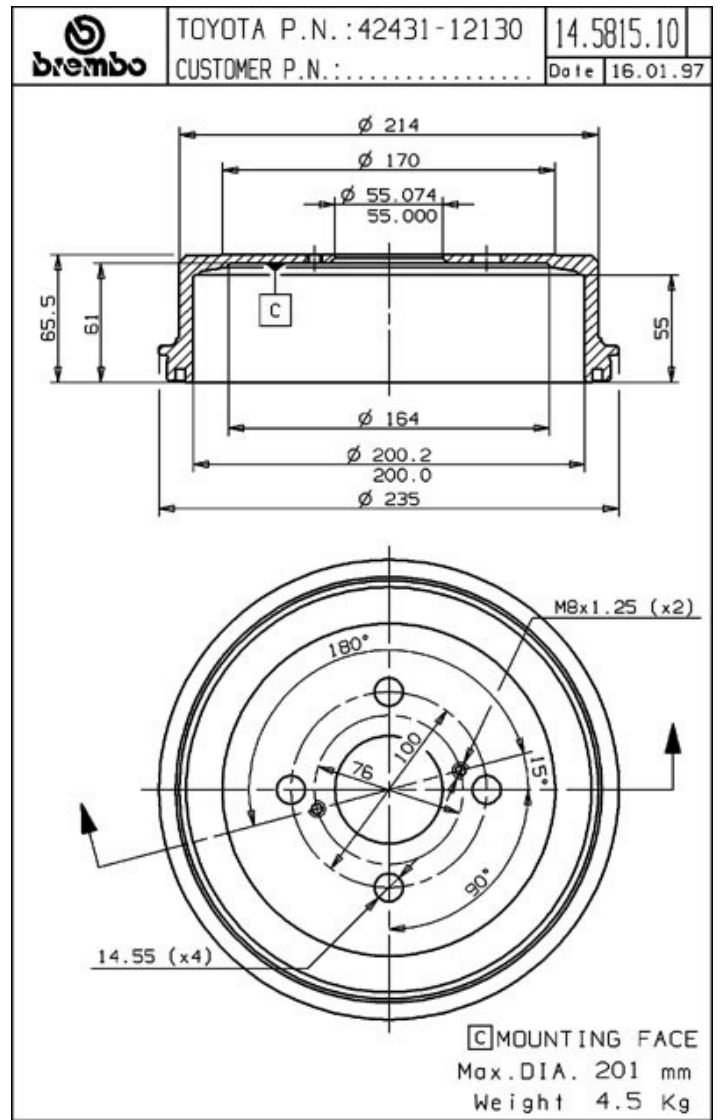
Width
55 mm

Height
65,5

Number of holes
4

Centering
55 mm

Max diameter
201 mm



COMPATIBLE VEHICLES

COMPATIBLE OE PART NUMBERS

94852720	CHEVROLET
4243102020	TOYOTA
4243112130	TOYOTA
4243112140	TOYOTA
4243112180	TOYOTA
4243120250	TOYOTA