



BRAKE PAD PRIME CERAMIC P44006N

The P44006N NAO brake pad is synonymous with reliability

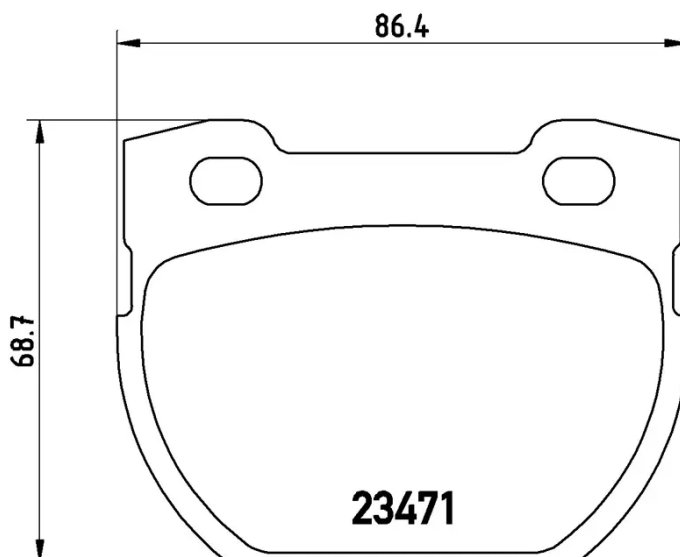
Brembo NAO brake pads stand out for their ultimate braking comfort, reduced friction wear and low dust mission, which makes for cleaner rims and reduced maintenance requirements. The advanced friction material in keeping with the strictest environmental standards is the main distinguishing feature of NAO compounds.

- ✓ OE-equivalent
- ✓ Brembo quality
- ✓ Safety
- ✓ Comfort
- ✓ Durability
- ✓ Dust reduction
- ✓ With accessories



Technical specifications

EAN code	Axle	Thickness
8020584113813	Rear	18 mm
Width	Height	Braking system
88 mm	69 mm	Lockheed
Wear indicator	WVA number	Accessories
Without	23471	With anti-squeal shim



COMPATIBLE VEHICLES

COMPATIBLE OE PART NUMBERS

SFP000130 LAND ROVER

SFP000250 LAND ROVER
