



BRAKE PAD NAO P44022N

The P44022N NAO brake pad is synonymous with reliability

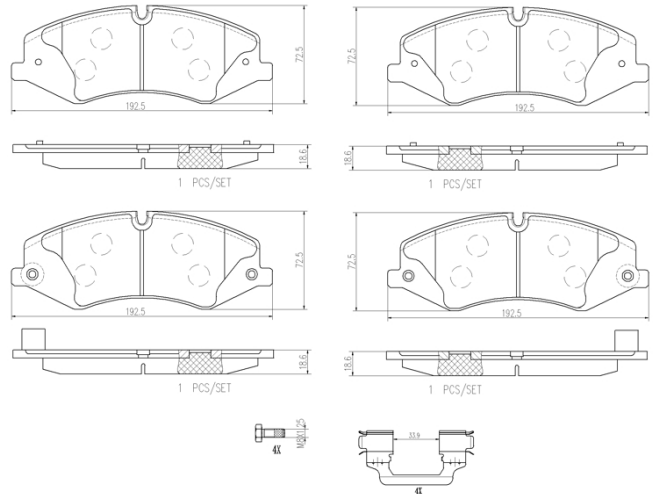
Brembo NAO brake pads stand out for their ultimate braking comfort, reduced friction wear and low dust mission, which makes for cleaner rims and reduced maintenance requirements. The advanced friction material in keeping with the strictest environmental standards is the main distinguishing feature of NAO compounds.

- ✓ OE-equivalent
- ✓ Brembo quality
- ✓ Safety
- ✓ Comfort
- ✓ Durability
- ✓ Dust reduction
- ✓ With accessories



Technical specifications

EAN code 8020584081884	Axle Front	Thickness 19 mm
Width 193 mm	Height 73 mm	Braking system TRW
Wear indicator Prepared for wear indicator	WVA number 25021,25022,25203,25204	Accessories With accessories With anti-squeal shim With brake caliper bolts



COMPATIBLE VEHICLES

COMPATIBLE OE PART NUMBERS

LR021253	LAND ROVER
----------	------------

LR026220	LAND ROVER
----------	------------

LR032063	LAND ROVER
----------	------------

LR047859	LAND ROVER
----------	------------

LR051626	LAND ROVER
----------	------------

LR057725	LAND ROVER
----------	------------

LR101981	LAND ROVER
----------	------------

LR134700	LAND ROVER
----------	------------

LR140477	LAND ROVER
----------	------------

LR140729	LAND ROVER
----------	------------

LR161940	LAND ROVER
----------	------------