



BRAKE PAD NAO P50049N

The P50049N NAO brake pad is synonymous with reliability

Brembo NAO brake pads stand out for their ultimate braking comfort, reduced friction wear and low dust mission, which makes for cleaner rims and reduced maintenance requirements. The advanced friction material in keeping with the strictest environmental standards is the main distinguishing feature of NAO compounds.

- ✓ OE-equivalent
- ✓ Brembo quality
- ✓ Safety
- ✓ Comfort
- ✓ Durability
- ✓ Dust reduction
- ✓ With accessories



Technical specifications

EAN code
8020584098486

Axle
Front

Thickness
20 mm

Width
137 mm

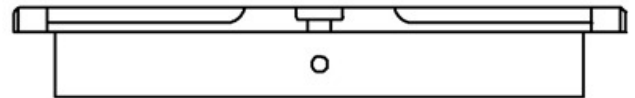
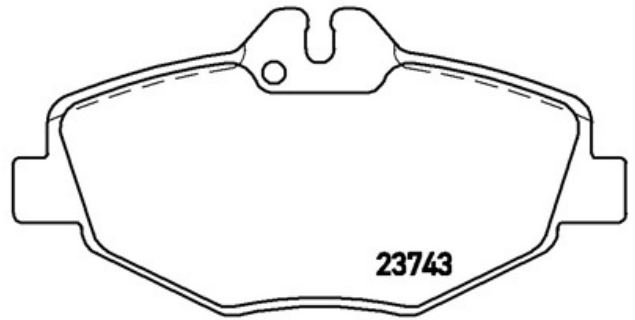
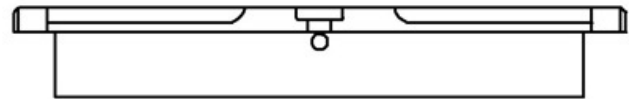
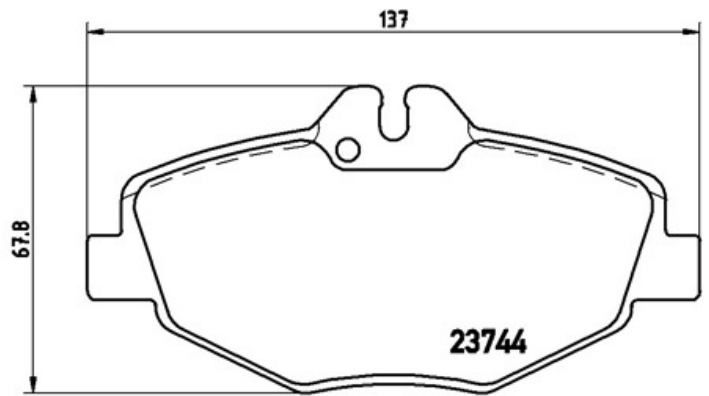
Height
68 mm

Braking system
Bosch

Wear indicator
Electric

WVA number
23744,23743

Accessories
With brake caliper bolts
With accessories
With anti-squeal shim



COMPATIBLE VEHICLES

COMPATIBLE OE PART NUMBERS

0034206520	MERCEDES-BENZ
0034209920	MERCEDES-BENZ
0044207920	MERCEDES-BENZ
0044208720	MERCEDES-BENZ
A0034206520	MERCEDES-BENZ
A0034209920	MERCEDES-BENZ
A0044207920	MERCEDES-BENZ
A0044208720	MERCEDES-BENZ